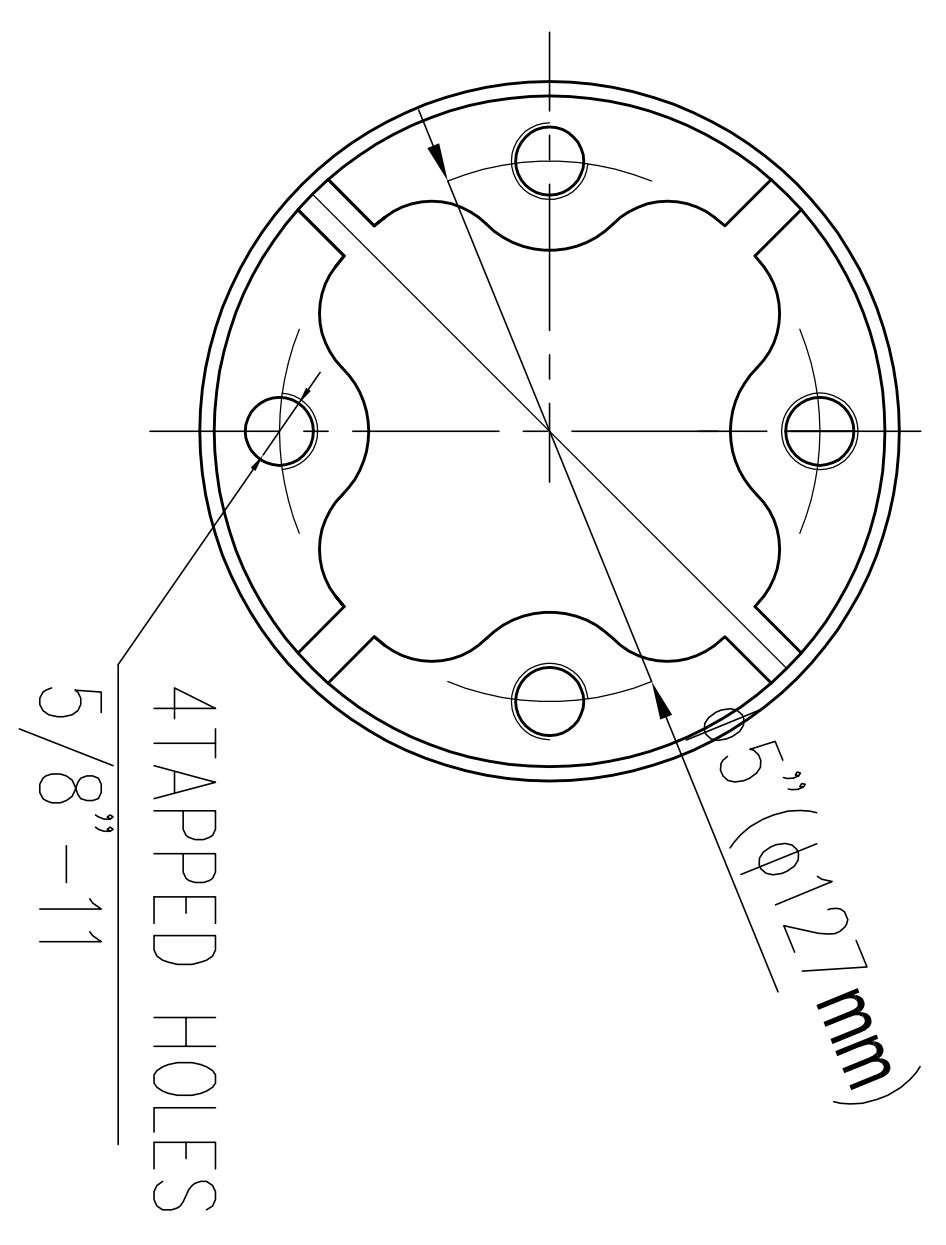


Characteristics:

Standard	ANSI C29.9 ANSI C29.1
Leakage Distance	inches(mm) 165(4192)
Cantilever Strength	pounds(kN) 950(4.23)
Tensile Strength	pounds(kN) 20000(89)
Torsional Strength	inch-pounds(kNm) 40000(4.52)
Compression Strength	pounds(kN) 60000(267)
Voltage Class	(kV) 200
Impulse Flashover ,Positive	kV 1010
Low Frequency Withstand,10sec Wet,	kV 385
Impulse Withstand	kV 900
Test Voltage,Rms to Ground,(kV) Maximum RIV,Microvolts at 1000kHz	146 500
Net weight	Pound/kg ≈289(131)
Flange material	Nordular case iron
Glazed color	ANSI 70 GRAY

AB direction



All flanges are hot dip galvanized.

Rev:01	5/16/2016	By	Date	Standard Drawing	Xion XD High Voltage Porcelain Insulator Co. Ltd.
Designed					TR304 Solid-Core Post Insulator
Checked					2980 (Y)
Approved					