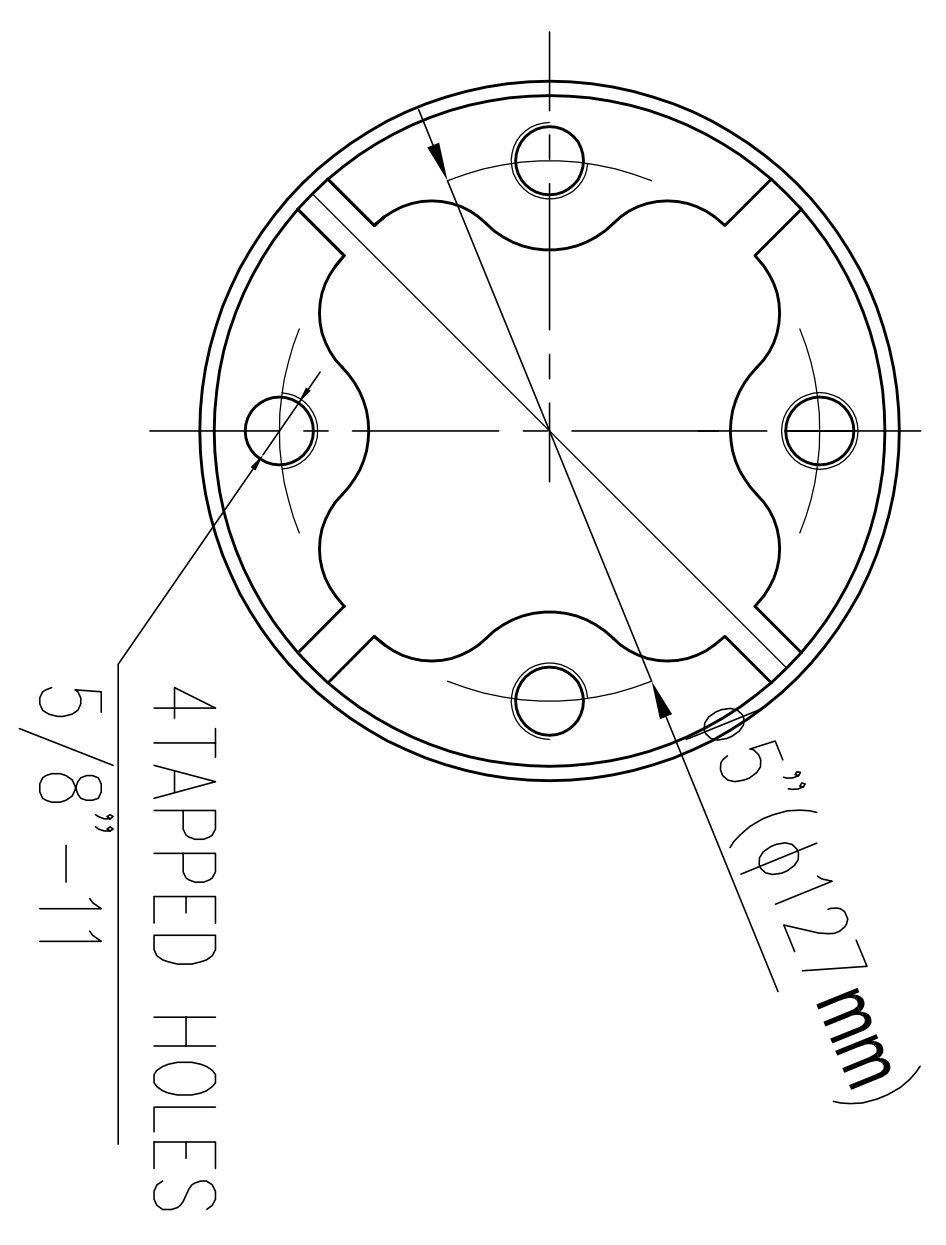


Characteristics:

Standard	ANSI C29.9 ANSI C29.1
Leakage Distance	inches(mm) 198(5029)
Cantilever Strength	pounds(kN) 1250(5.56)
Tensile Strength	pounds(kN) 25000(111.3)
Torsional Strength	inch-pounds(kNm) 90000(10.2)
Compression Strength	pounds(kN) 75000(333.8)
Voltage Class	(kV) 200
Impulse Flashover ,Positive	kV 1210
Low Frequency Withstand,10sec Wet,	kV 455
Impulse Withstand	kV 1050
Test Voltage,Rms to Ground,(kV) Maximum RIV,Microvolts at 1000KHz	146 500
Net weight	Pound/kg ≈364(165)
Flange material	Nordular case iron
Glazed color	ANSI 70 GRAY

AB direction



All flanges are hot dip galvanized.

Standard Drawing		Xion XD High Voltage Porcelain Insulator Co. Ltd.	
Rev:01	5/16/2016	TR316 Solid-Core Post Insulator	
By	Date	2985 (Y)	
Designed			
Checked			
Approved			