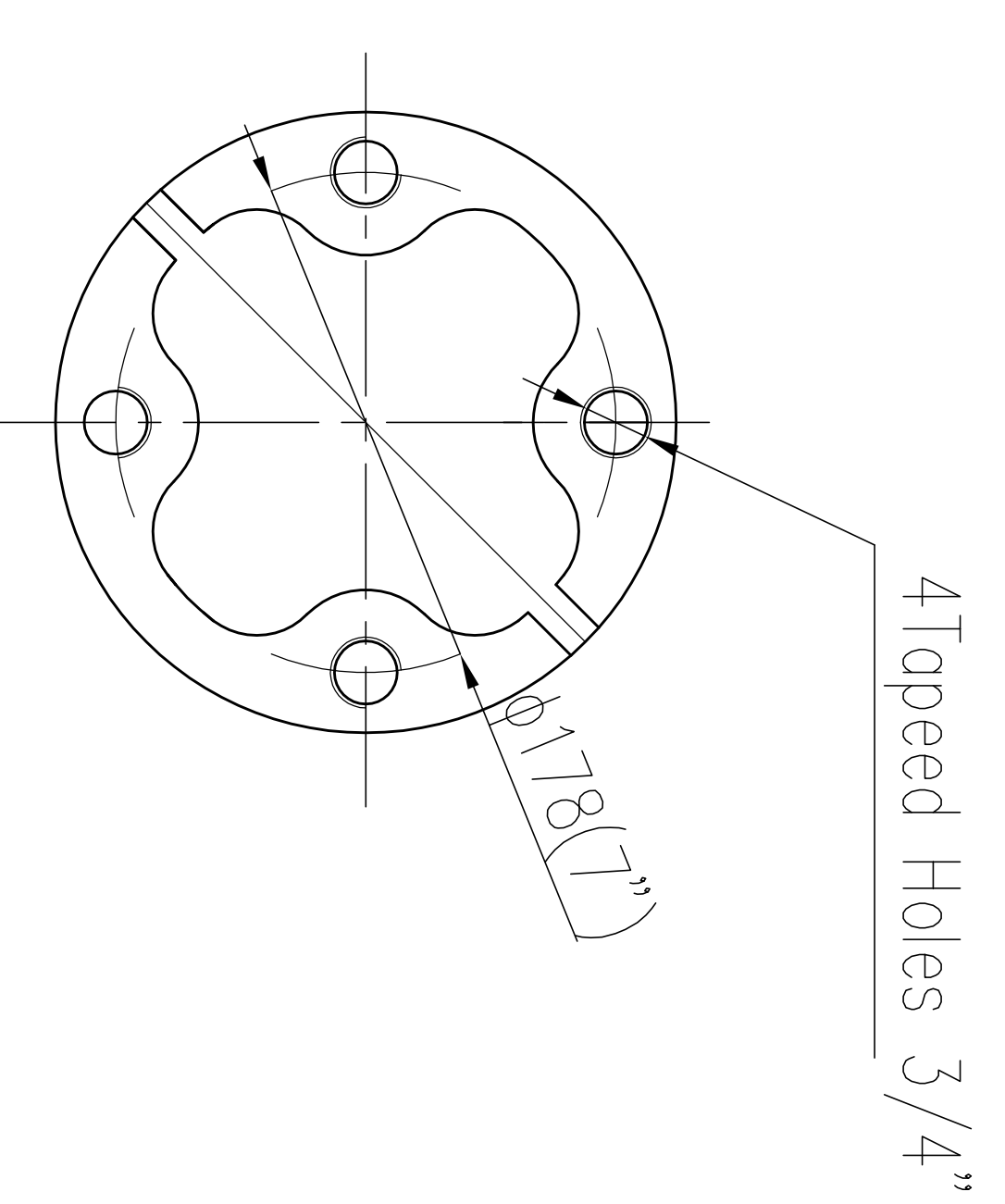


Characteristics:

Standard	ANSI C29.9 and C29.1
Leakage distance Inches(mm)	198"(5029mm)
Cantilever strength (upright) Pound(KN)	2300 (10.235kN)
Tensile strength Pound(KN)	40000 (178kN)
Torsion strength Pound-inches (KNm)	120000 (13.56kN.m)
Compression strength Pound(KN)	100000 (445kN)
Voltage class kV	230
Impulse flashover positive kV	1210
Wet power frequency withstand voltage 10sec kV	455
Lightning impulse withstand voltage kV	1050
Test voltage rms. to ground	146
Max. RIV microwave at 1000KHz	500
Net weight Pound/kg	≈364(165kg)
Flange material	Nordular case iron
Glazed color	ANSI 70 Gray

A, B Direction



Rev01	5/16/2016				
		By		Date	
		Designed			
		Checked			
		Approved			
Standard Drawing			Xian XD High Voltage Porcelain Insulator Co. Ltd. TR362 Solid-Core Post Insulator		
24605(Y)					