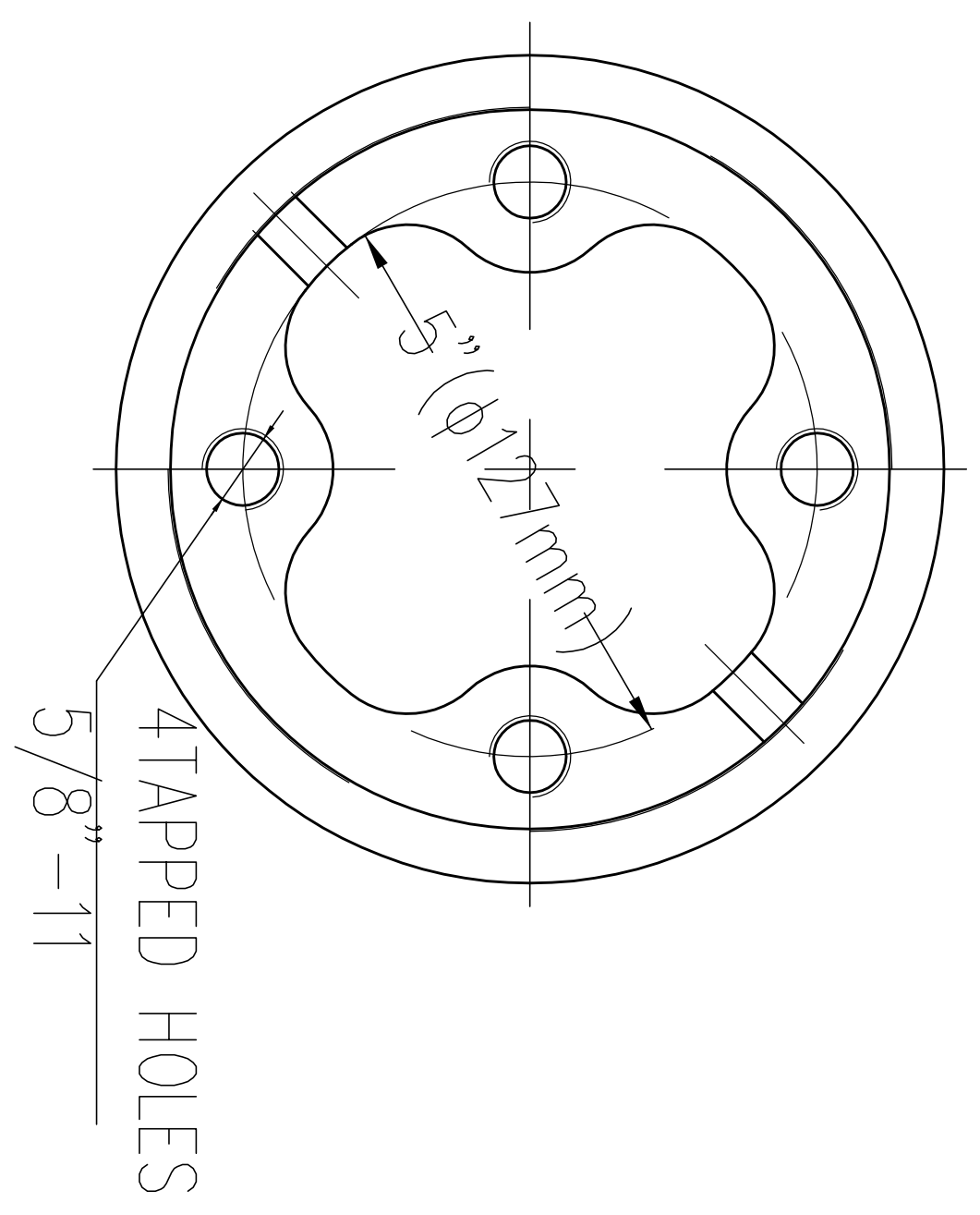


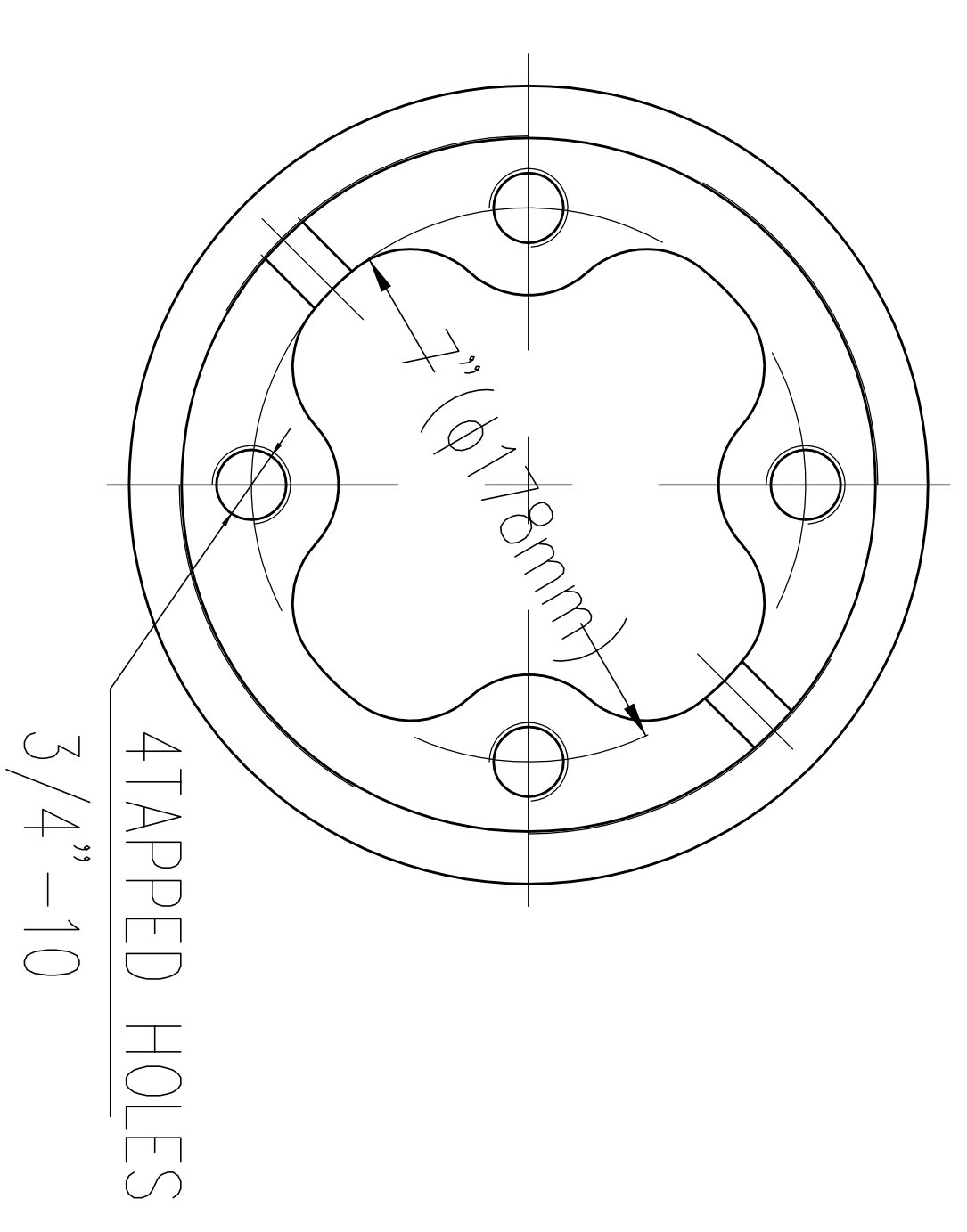
Characteristics:

Standard	ANSI C29.9 ANSI C29.1
Leakage Distance	231 (5868) inches(mm)
Cantilever Strength	1450 (6.5) pounds(kN)
Tensile Strength	20000 (89) pounds(kN)
Torsional Strength	40000 (4.52) inch-pounds(kNm)
Compression Strength	60000 (267) pounds(kN)
Voltage Class	200 (kV)
Impulse Flashover ,Positive	1410 kV
Low Frequency Withstand,10sec Wet,	525 kV
Impulse Withstand	1300 kV
Test Voltage,Rms to Ground,(kV) Maximum RIV,Microvolts at 1000kHz	220 1000
Net weight	≈522(237) Pound/kg
Flange material	Nordular case iron
Glazed color	ANSI 70 GRAY

A direction



B direction



All flanges are hot dip galvanized.

Standard Drawing		Xion XD High Voltage Porcelain Insulator Co. Ltd.	
Rev:01	5/16/2016	TR367 Solid-Core Post Insulator	
By	Date		
Designed			
Checked			
Approved			