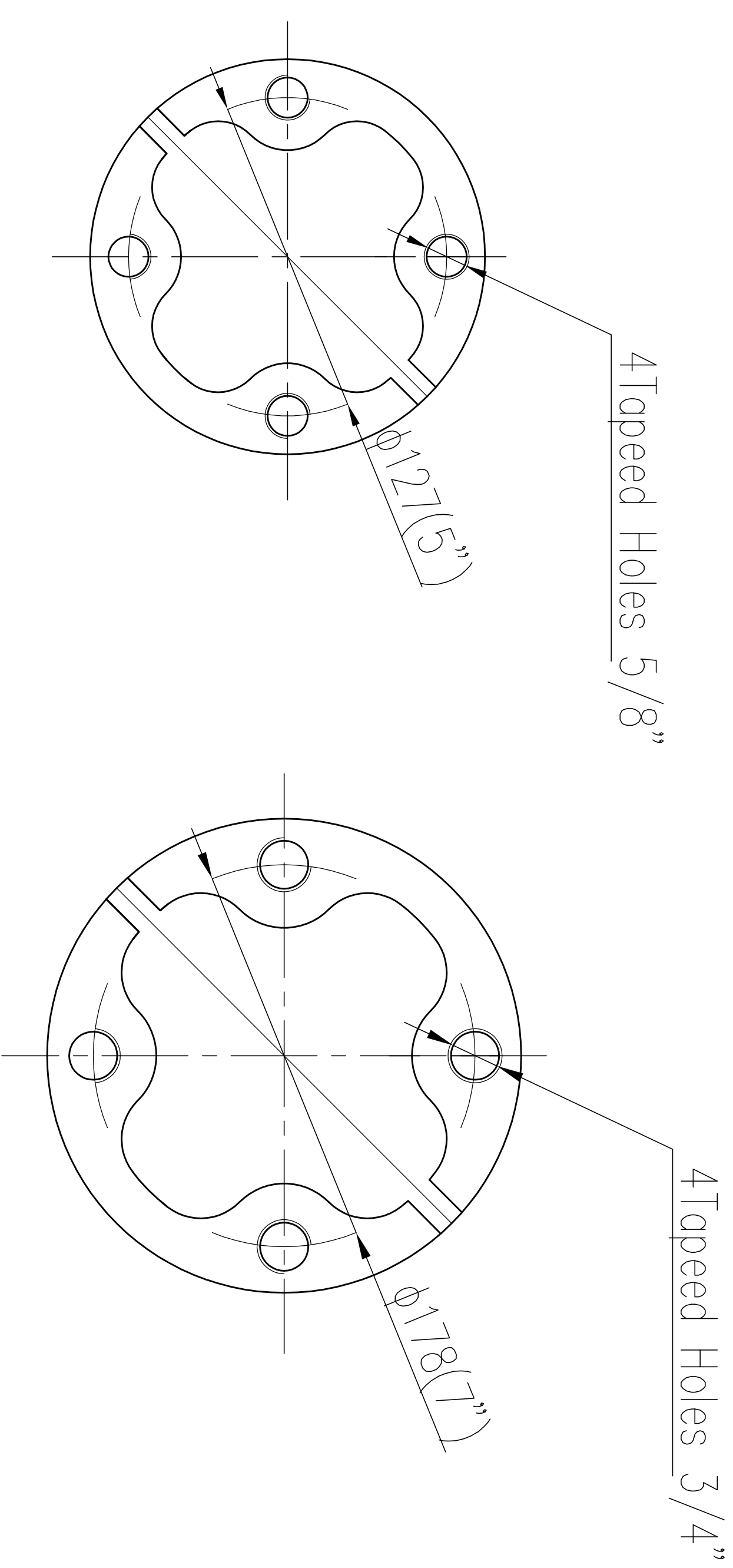


Characteristics:

Standard	ANSI C29.9 and C29.1
Leakage distance	Inches(mm) 231"(5867mm)
Cantilever strength (upright)	Pound(KN) 2050 (9.1225KN)
Tensile strength	Pound(KN) 20000 (89KN)
Torsion strength	Pound-inches (KNm) 40000 (4.52KN.m)
Compression strength	Pound(KN) 60000 (267KN)
Voltage class	kV 345
Impulse flashover	positive kV 1410
Wet power frequency withstand voltage	10sec kV 525
Lightning impulse withstand voltage	kV 1300
Test voltage rms. to ground	220
Max. RIV microwave at 1000KHz	1000
Net weight	Pound/kg ≈433(196.5kg)
Flange material	Nordular case iron
Glazed color	ANSI 70 Gray

A Direction

B Direction



Standard Drawing		Xian XD High Voltage Porcelain Insulator Co. Ltd.	
Rev01	5/16/2016	TR369 Solid-Core Post Insulator	
Designed	By	Date	
Checked			
Approved			