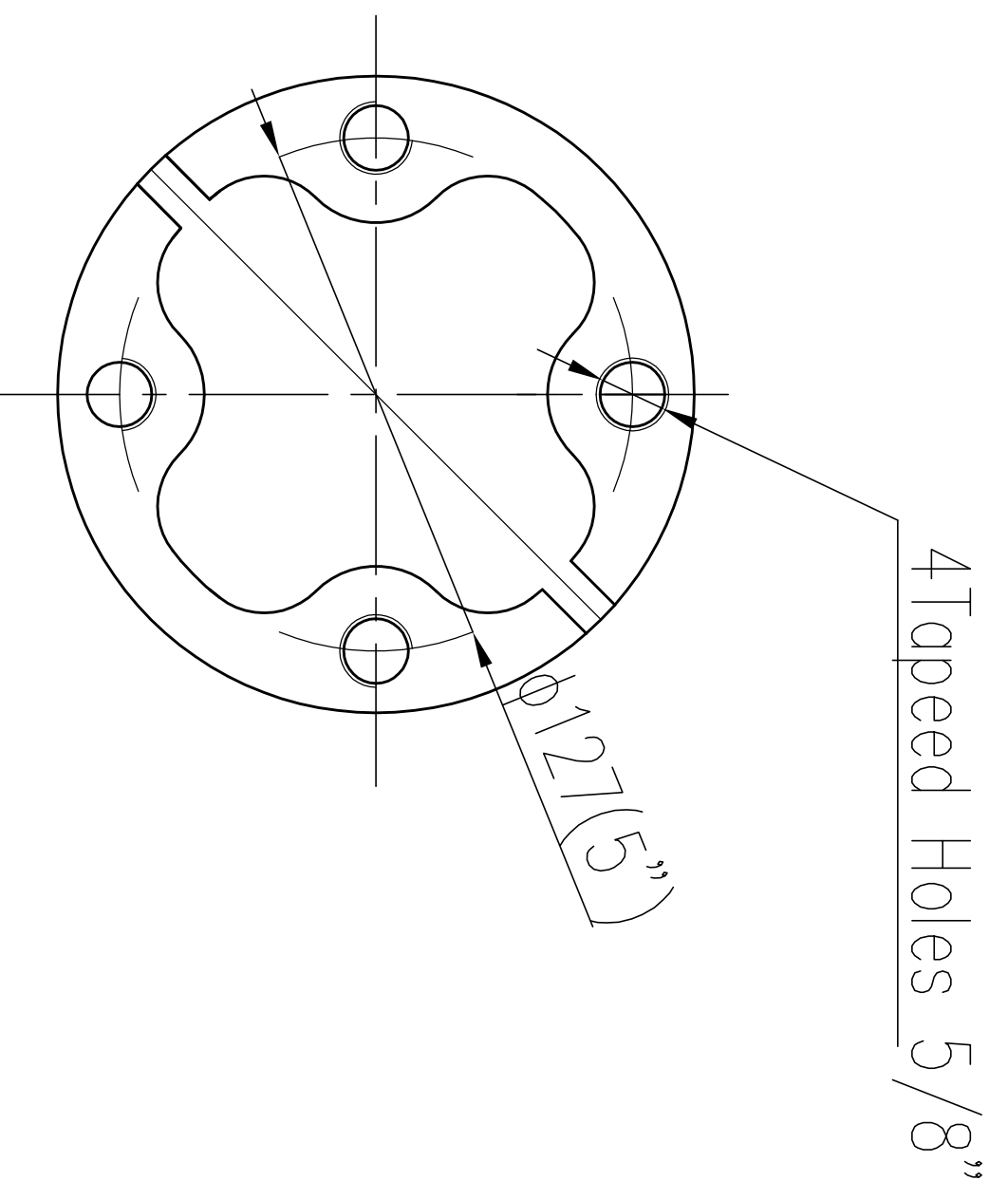


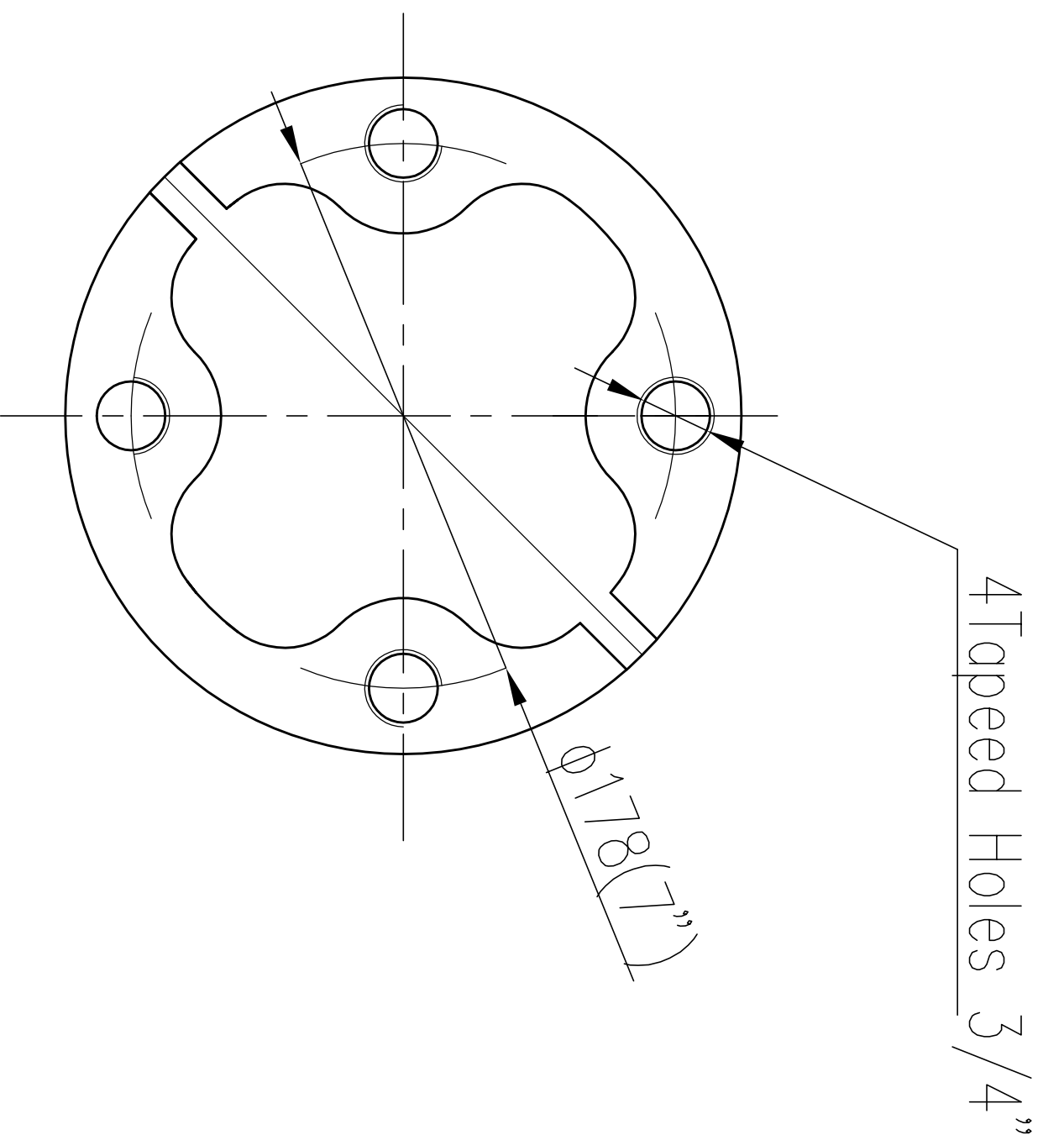
Characteristics:

Standard	ANSI C29.9 and C29.1
Leakage distance Inches(mm)	280"(7112mm)
Cantilever strength (upright) Pound(KN)	1700 (7.565KN)
Tensile strength Pound(KN)	20000 (89KN)
Torsion strength Pound-inches (KNm)	40000 (4.52KN.m)
Compression strength Pound(KN)	60000 (267KN)
Voltage class kV	500
Impulse flashover positive kV	1710
Wet power frequency withstand voltage 10sec kV	620
Lightning impulse withstand voltage kV	1550
Test voltage rms. to ground	318
Max. RIV microwave at 1000KHz	2000
Net weight Pound/kg	≈503(228kg)
Flange material	Nordular case iron
Gloazed color	ANSI 70 Gray

A Direction



B Direction



Standard Drawing		Xian XD High Voltage Porcelain Insulator Co. Ltd.	
Rev01	5/16/2016	TR379 Solid-Core Post Insulator	
Designed	By	Date	
Checked			
Approved			