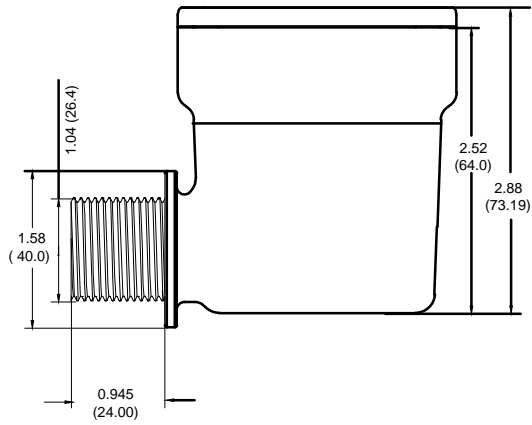
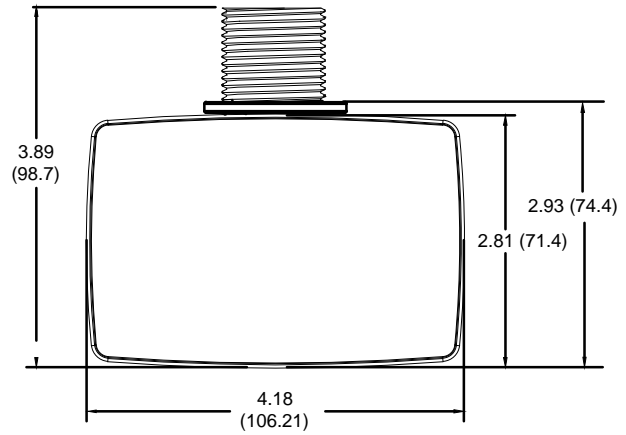
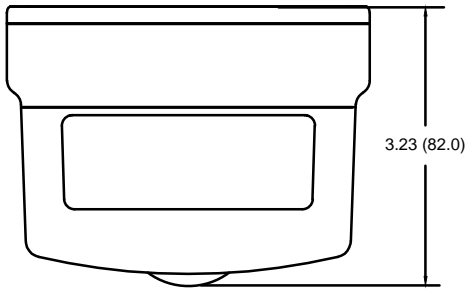
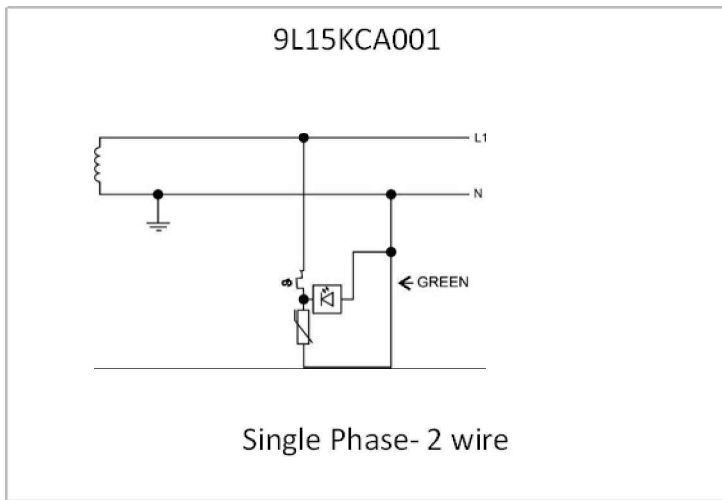


SIZE A	DWG NO 9L15KCA001	SHT 1	REV
REV	DESCRIPTION	DATE	APPROVED



NOMINAL VOLTAGE	SYSTEM OPTIONS	MODE of PROTECTION	POLES
480	Single Phase, 2 wire	L-G	1



GE ENERGY  
FORT EDWARD, N.Y., U.S.A.

SIZE  
**A**

**9L15KCA001**

**SURGE PROTECTIVE DEVICE**

DRAWN DCS DATE 7/2/2015

ISSUED DATE 7/2/2015

SCALE

SHEET 1 CONT ON -

DISTR. TO