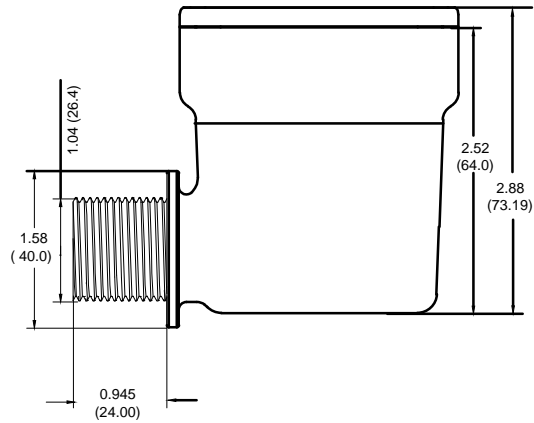
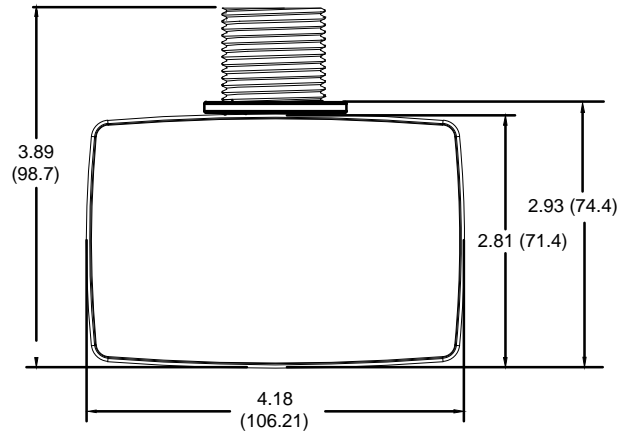
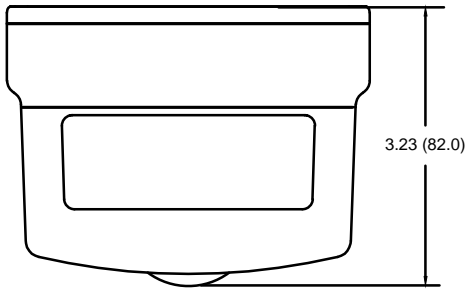
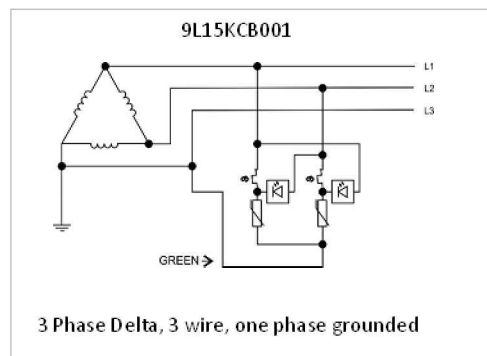



SIZE A	DWG NO 9L15KCB001	SHT 1	REV
REV	DESCRIPTION	DATE	APPROVED



NOMINAL VOLTAGE	SYSTEM OPTIONS	MODE of PROTECTION	POLES
480	3 phase Delta; 3 Wire; One phase grounded	L1-G; L2-G	2



 <b>GE ENERGY</b> <b>FORT EDWARD, N.Y., U.S.A.</b>		SIZE <b>A</b>	<b>9L15KCB001</b> <b>SURGE PROTECTIVE DEVICE</b>		DISTR. TO
DRAWN	DCS	DATE	7/2/2015	SHEET 1 CONT ON -	
ISSUED		DATE	7/2/2015		