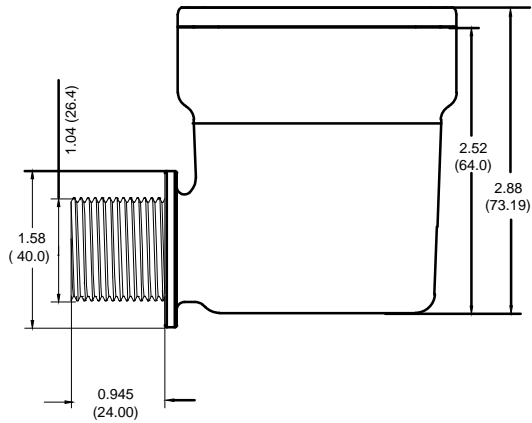
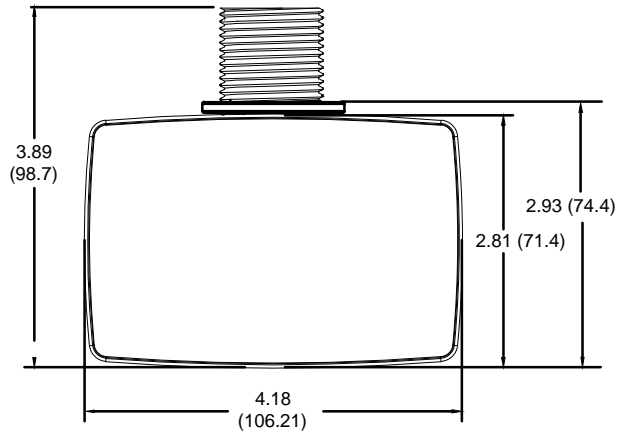
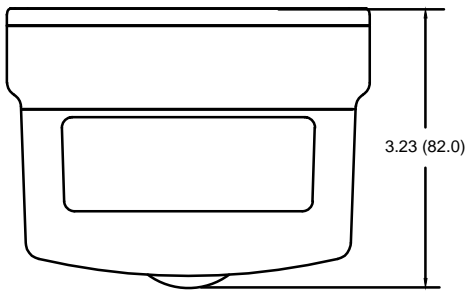
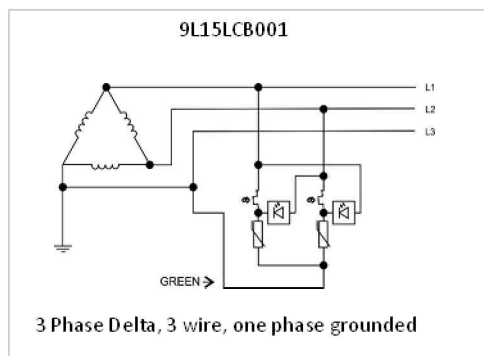


SIZE A	DWG NO 9L15LCB001	SHT 1	REV
REV	DESCRIPTION	DATE	APPROVED



NOMINAL VOLTAGE	SYSTEM OPTIONS	MODE of PROTECTION	POLES
600	3 phase Delta; 3 Wire; One phase grounded	L1-G; L2-G	2



GE ENERGY FORT EDWARD, N.Y., U.S.A.		SIZE A	9L15LCB001 SURGE PROTECTIVE DEVICE		SHEET 1	CONT ON	-
		DRAWN DCS					
ISSUED		DATE 7/2/2015					

DISTR. TO