



TECHNICAL DATA SHEET

| Rev. | Description |
|--------|----------------------|
| Rev. A | Issued for proposal. |
| Rev. B | - |
| Rev. C | - |

| Date | Prepared by |
|------------|-------------|
| 14.03.2017 | A. Roosipuu |
| - | - |
| - | - |

GENERAL DATA

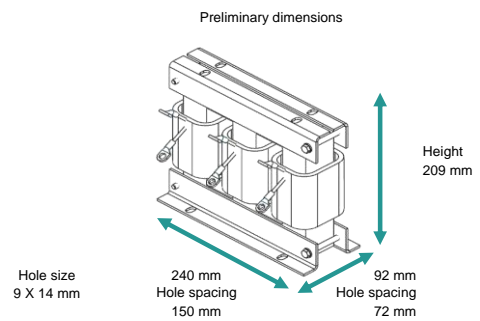
| | | |
|-------|------------------------------------|--|
| P1010 | Document number | TRTDS0000899-01 |
| P1020 | Item code | 39331 |
| P1030 | Project | XKIB-IEC 15/400/7-50 |
| P1032 | Grid Solutions Oy (Ltd.) item code | JC301117-00 |
| P1040 | Application | Three phase Blocking reactor |
| P1050 | Inductor type | Vacuum impregnated (VI) dry type steel core inductor |
| P1060 | Cooling method | AN |
| P1070 | Installation altitude | < 1000 m above sea-level |
| P1080 | Standards | IEC 60076-6 |

ELECTRICAL DATA

| | | |
|-------|---|----------|
| P2010 | Nominal inductance [-3 % ... +3 % at 50 Hz] | 2,556 mH |
| P2020 | Nominal frequency | 50 Hz |
| P2040 | Nominal operating voltage [Vrms] | 400 V |
| P2050 | Nominal current [rms] | 25,3 A |
| P2061 | Fundamental current (50Hz) | 23,8 A |
| P2071 | Total losses | 382 W |

ADDITIONAL TECHNICAL DATA

| | | |
|-------|--------------------------------------|--------------------|
| P3010 | Min. Cooling Air Flow Speed | Natural convection |
| P3020 | Max ambient temperature | 40,0 °C |
| P3030 | Installation environment | Indoor |
| P3040 | Storage temperature | -30 °C ... + 70 °C |
| P3050 | Transportation temperature | -30 °C ... + 70 °C |
| P3060 | Humidity, non condensing | Max 95 % |
| P3070 | Protection class | IP 00 |
| P3080 | Pollution degree IEC 60664-1 | 2 |
| P3100 | Thermal class of insulation material | F |
| P3110 | Total weight | 15 kg |
| P3120 | Impregnation method | Vacuum |
| P3130 | Duty class | Continuous |



TESTS

| | | |
|-------|--|----------------------------------|
| P4010 | Routine tests | |
| P4020 | Visual inspection | For all units |
| P4030 | Insulation voltage test winding to winding 50Hz/1s | 4 kV |
| P4040 | Insulation voltage test winding to core 50Hz/1s | 4 kV |
| P4060 | Inductance test | Ln (-3 % ... +3 %) For all units |

DOCUMENTATION

| | | |
|-------|-------------------------|-----------------|
| P5010 | Drawing document number | TRDOC0189675-01 |
|-------|-------------------------|-----------------|

NOTES

| | | |
|-------|------------------------|------------|
| P9010 | Manufacturing location | Made in EU |
|-------|------------------------|------------|