



## TECHNICAL DATA SHEET

Description	Date	Prepared by
Rev. A Issued for proposal.	14.03.2017	A. Roosipuu
Rev. B -	-	-
Rev. C -	-	-

### GENERAL DATA

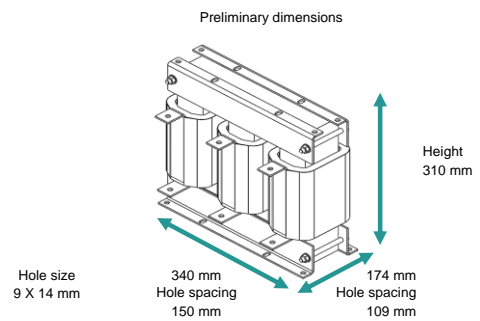
P1010 Document number	TRTDS0000914-01
P1020 Item code	39232
P1030 Project	XKIB-IEC 80/400/7-50
P1032 Grid Solutions Oy (Ltd.) item code	JC301128-00
P1040 Application	Three phase Blocking reactor
P1050 Inductor type	Vacuum impregnated (VI) dry type steel core inductor
P1060 Cooling method	AN
P1070 Installation altitude	< 1000 m above sea-level
P1080 Standards	IEC 60076-6

### ELECTRICAL DATA

P2010 Nominal inductance [-3 % ... +3 % at 50 Hz]	0,451 mH
P2020 Nominal frequency	50 Hz
P2040 Nominal operating voltage [Vrms]	400 V
P2050 Nominal current [rms]	135,0 A
P2061 Fundamental current (50Hz)	127,0 A
P2071 Total losses	382 W

### ADDITIONAL TECHNICAL DATA

P3010 Min. Cooling Air Flow Speed	Natural convection
P3020 Max ambient temperature	40,0 °C
P3030 Installation environment	Indoor
P3040 Storage temperature	-30 °C ... + 70 °C
P3050 Transportation temperature	-30 °C ... + 70 °C
P3060 Humidity, non condensing	Max 95 %
P3070 Protection class	IP 00
P3080 Pollution degree IEC 60664-1	2
P3100 Thermal class of insulation material	F
P3110 Total weight	50 kg
P3120 Impregnation method	Vacuum
P3130 Duty class	Continuous



### TESTS

P4010 Routine tests	
P4020 Visual inspection	For all units
P4030 Insulation voltage test winding to winding 50Hz/1s	4 kV
P4040 Insulation voltage test winding to core 50Hz/1s	4 kV
P4060 Inductance test	Ln (-3 % ... +3 %) For all units

### DOCUMENTATION

P5010 Drawing document number	TRDOC0189112-01
-------------------------------	-----------------

### NOTES

P9010 Manufacturing location	Made in EU
------------------------------	------------