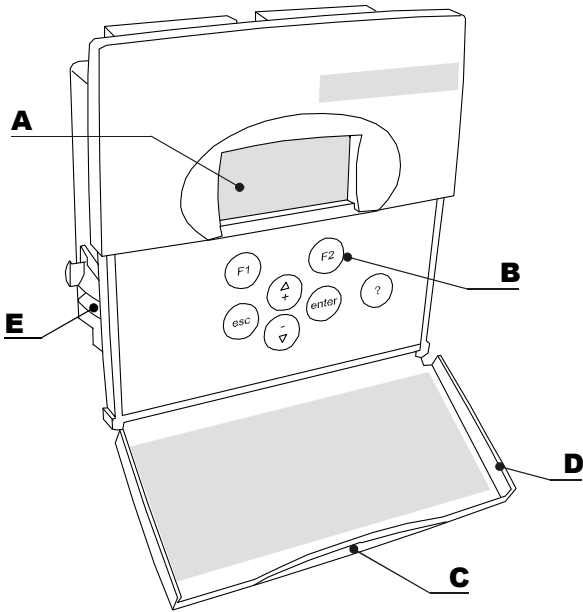


# Power Factor Controller NC-12

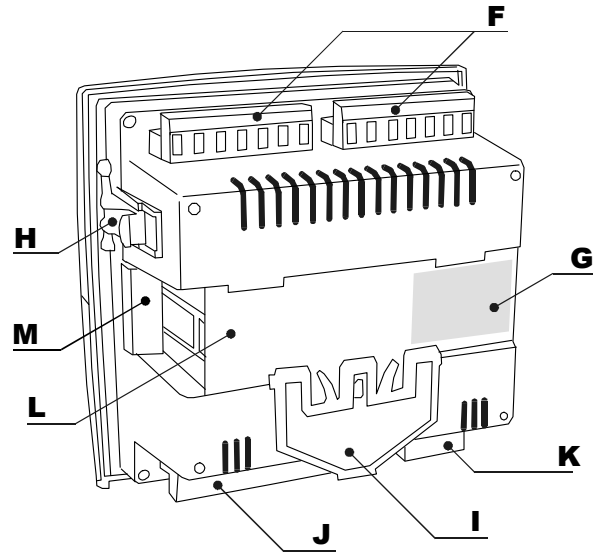


Front side view:



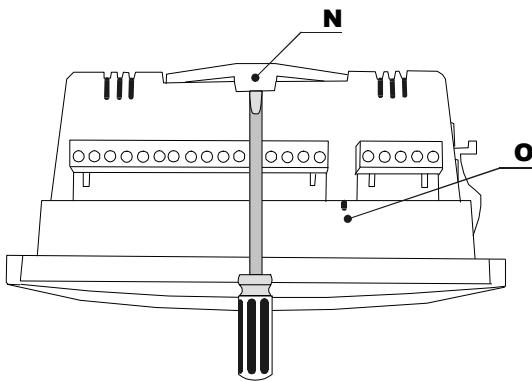
- A** Display
- B** Keys
- C** Opening of door
- D** Door
- E** Mounting bracket for panel mounting installation

Rear side view:



- F** Step output connectors
- G** Name plate
- H** Mounting bracket for panel mounting installation
- I** Fixing spring for DIN-rail mounting
- J** Current, voltage, temperature sensor and target  $\cos \varphi$  connection inputs
- K** Fan and alarm outputs
- L** DIN-rail mounting installation area
- M** Controller Communication Adapter (CCA) cover

Lower side view:



- N** DIN-rail fixing spring
- O** Air inlet for temperature measurement

The controller is designed for either panel (cut-out 138 x 138 mm) or DIN-rail installation. It is locked to a panel by a side fitting springs or to the rail by a screwdriver-operated fixing spring.

