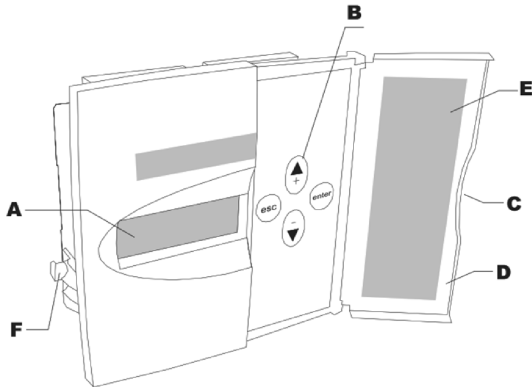


# Power Factor Controller N-6 and N-12

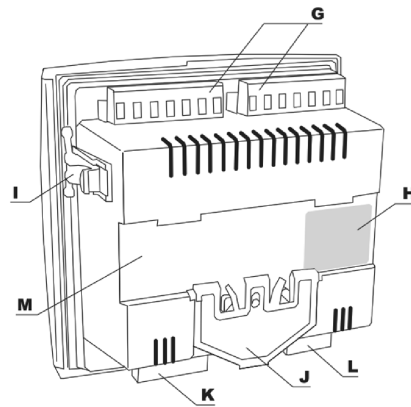


Front side view:



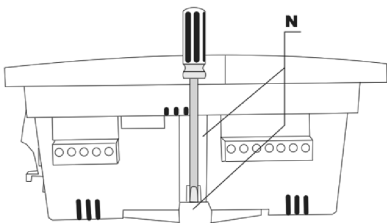
- A** Display
- B** Keys
- C** Opening of the door
- D** Door
- E** Alarm information
- F** Mounting bracket for panel mounting installation

Rear side view:



- G** Step output connector
- H** Specification label
- I** Mounting bracket for panel mounting installation
- J** Fixing spring for DIN-rail mounting
- K** Current/voltage connection inputs
- L** Fan and alarm outputs
- M** DIN-rail mounting installation area

Low side view:



- N** Screwdriver guide

The controller is designed for either panel (cut-out 138 x 138 mm) or DIN-rail installation. It is locked to a panel by a side fitting springs or to the rail by a screwdriver-operated fixing spring.

