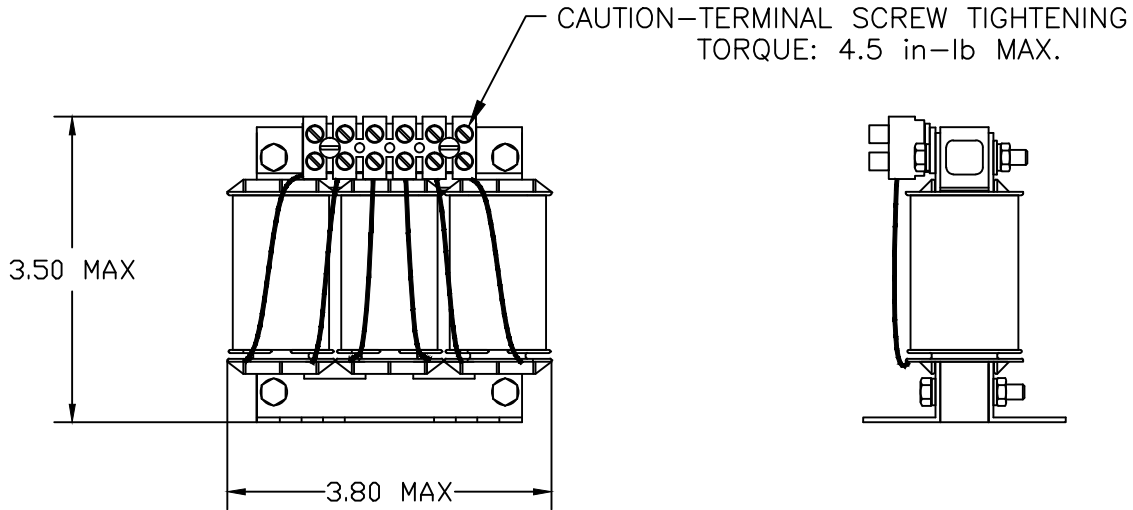
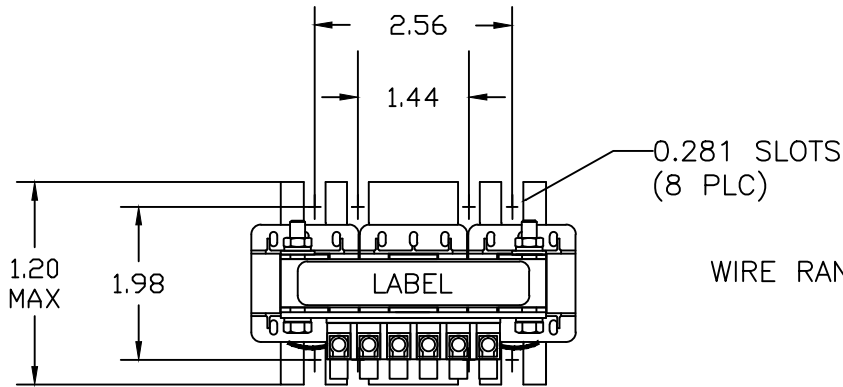


| | | | |
|-----------|--------------------|----------|----------|
| SIZE A | DWG NO 37G00101 | SHT 1 | REV |
| REV | DESCRIPTION | DATE | APPROVED |

3 Phase Line/Load Reactor



| INDUCTANCE | WATTS LOSS | FUND. AMPS | MAX. AMPS | WEIGHT (LBS) |
|------------|------------|------------|-----------|--------------|
| 100 mH | 13.5 | 1.0 | 1.5 | 2.2 |



GE GRID SOLUTIONS
CLEARWATER, FL

SIZE

A

LV LINE REACTOR
37G00101

DRAWN DCS DATE 1/10/2017

ISSUED DATE 1/10/2017

SCALE

SHEET 1 CONT ON -