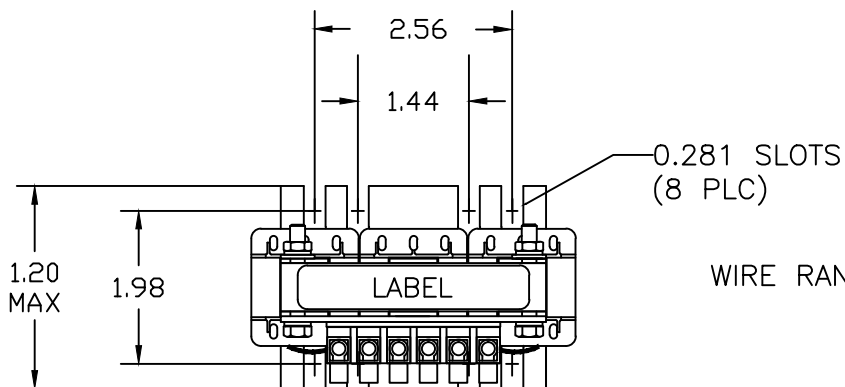
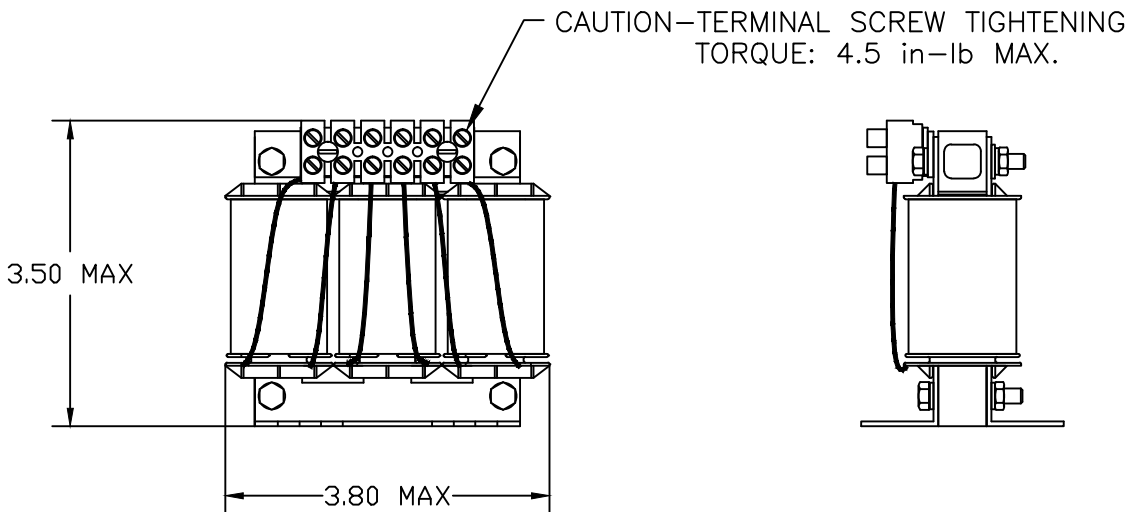


SIZE A	DWG NO 37G00103	SHT 1	REV
REV	DESCRIPTION	DATE	APPROVED

3 Phase Line/Load Reactor



WIRE RANGE: 22-10 AWG



INDUCTANCE	WATTS LOSS	FUND. AMPS	MAX. AMPS	WEIGHT (LBS)
36 mH	11.9	1.0	.0	2.1



GE GRID SOLUTIONS
CLEARWATER, FL

SIZE

A

LV LINE REACTOR
37G00103

DRAWN DCS DATE 1/5/2017

ISSUED DATE 1/5/2017

SCALE

SHEET 1 CONT ON -