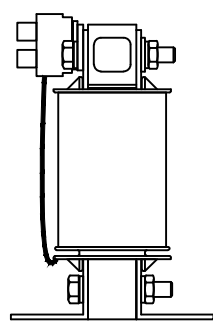
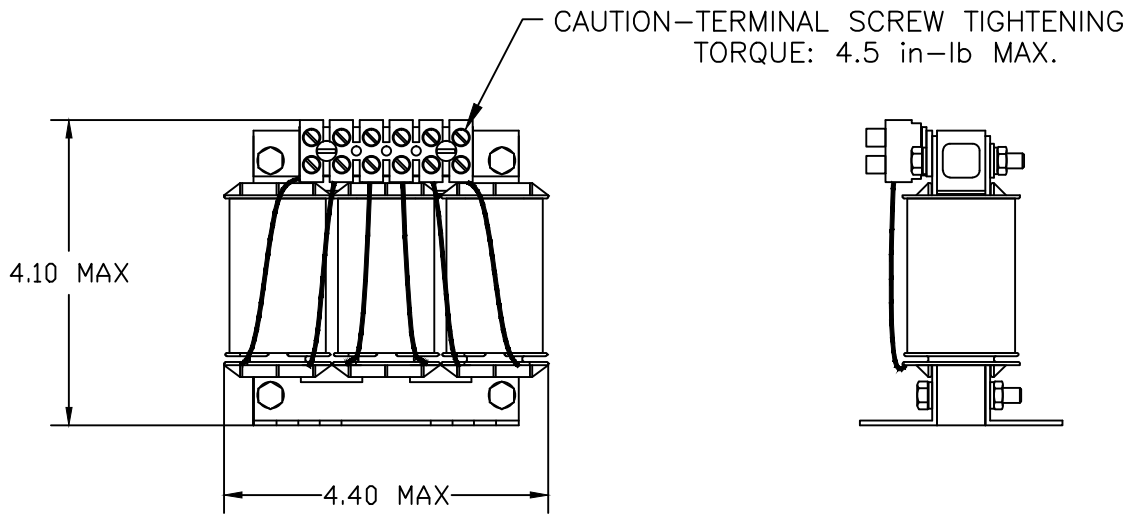
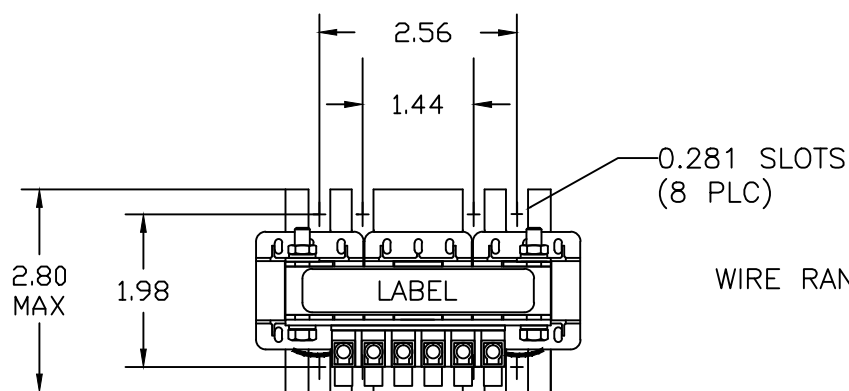


SIZE A	DWG NO 37G00401	SHT 1	REV
REV	DESCRIPTION	DATE	APPROVED

3 Phase Line/Load Reactor  
OPEN FRAME



\*\* ALSO AVAILABLE IN NEMA 1 ENCLOSURE

INDUCTANCE	WATTS LOSS	FUND. AMPS	MAX. AMPS	WEIGHT (LBS)
3.0 mH	14.5	4.0	6.0	4



GE GRID SOLUTIONS  
CLEARWATER, FL

SIZE  
A

LV LINE REACTOR  
37G00401

DRAWN DCS DATE 1/11/2017

ISSUED DATE 1/11/2017

SCALE

SHEET 1 CONT ON -