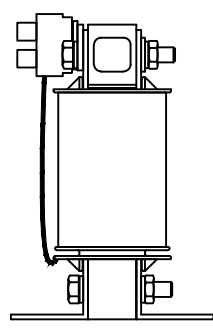
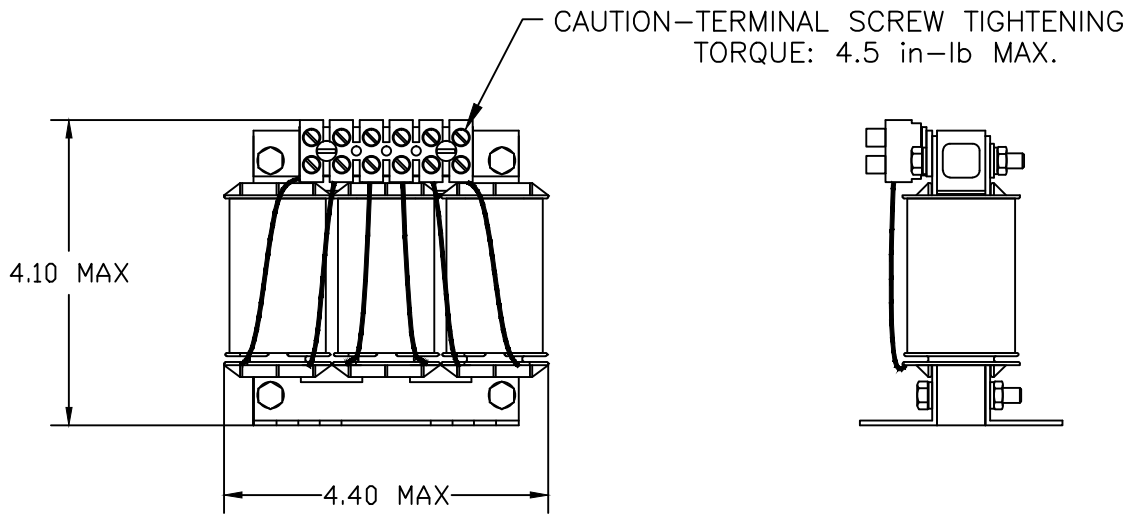
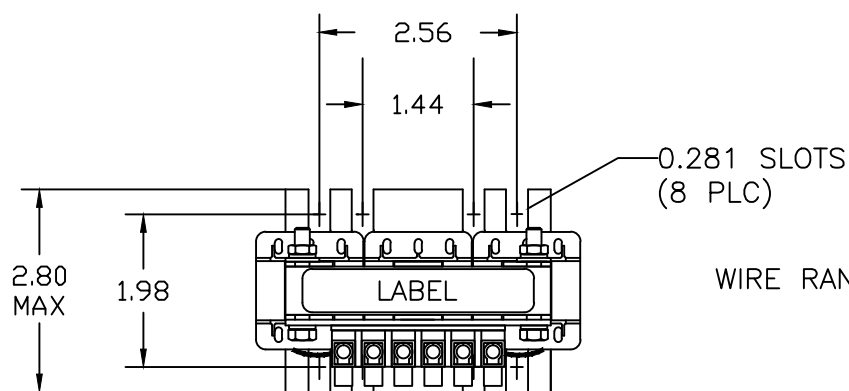


SIZE A	DWG NO 37G00402	SHT 1	REV
REV	DESCRIPTION	DATE	APPROVED

3 Phase Line/Load Reactor
OPEN FRAME



** ALSO AVAILABLE IN NEMA 1 ENCLOSURE

INDUCTANCE	WATTS LOSS	FUND. AMPS	MAX. AMPS	WEIGHT (LBS)
6.5 mH	20.0	4.0	6.0	4

GE GRID SOLUTIONS CLEARWATER, FL	DATE	1/11/2017	SIZE A	LV LINE REACTOR 37G00402
	DRAWN	DCS		
ISSUED	DATE	1/11/2017	SCALE	SHEET 1 CONT ON -