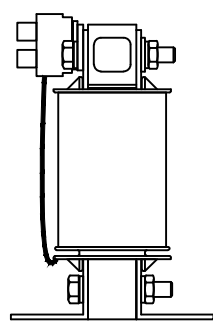
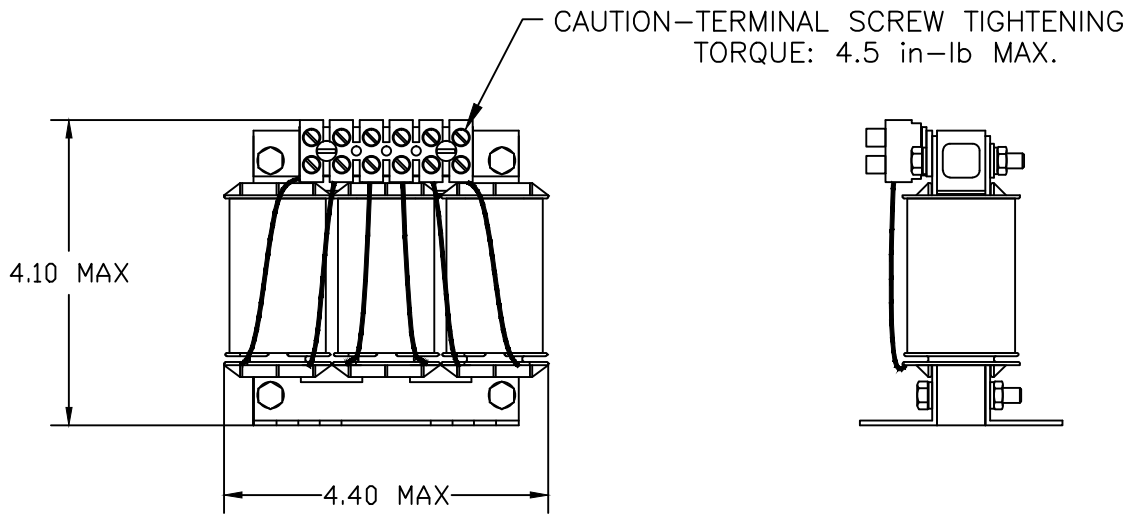
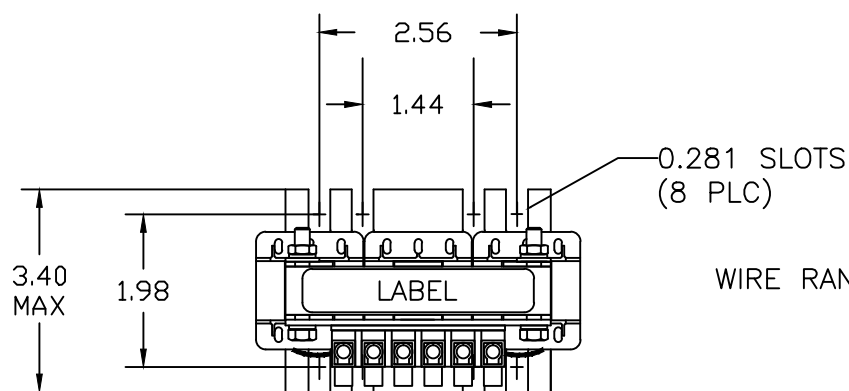


SIZE A	DWG NO 37G00403	SHT 1	REV
REV	DESCRIPTION	DATE	APPROVED

3 Phase Line/Load Reactor
OPEN FRAME



** ALSO AVAILABLE IN NEMA 1 ENCLOSURE

INDUCTANCE	WATTS LOSS	FUND. AMPS	MAX. AMPS	WEIGHT (LBS)
9.0 mH	20.0	4.0	6.0	5



GE GRID SOLUTIONS
CLEARWATER, FL

SIZE
A

LV LINE REACTOR
37G00403

DRAWN	DCS	DATE	1/11/2017
ISSUED		DATE	1/11/2017

SCALE		SHEET	1	CONT	ON	-
-------	--	-------	---	------	----	---