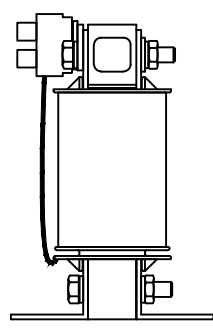
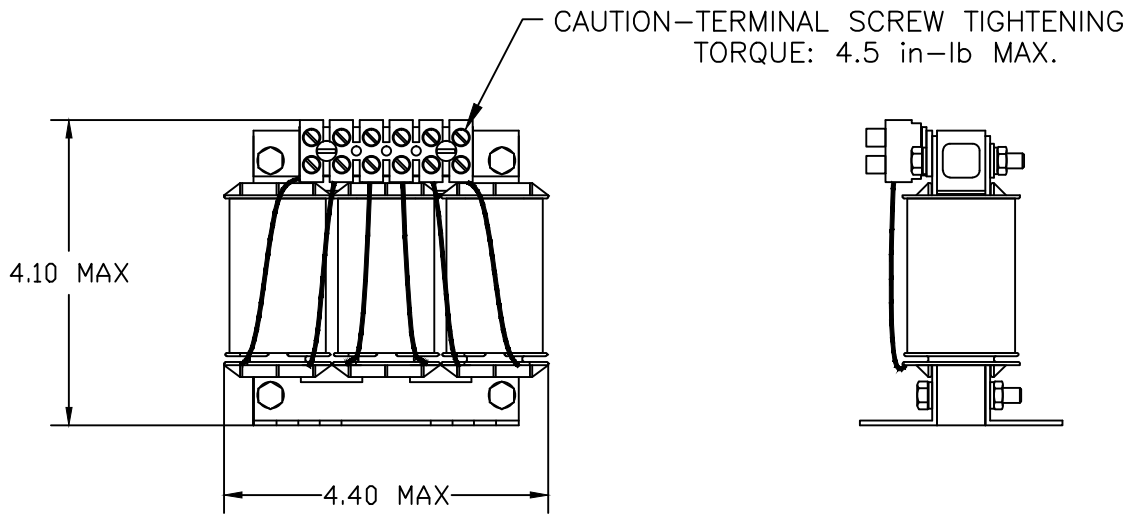
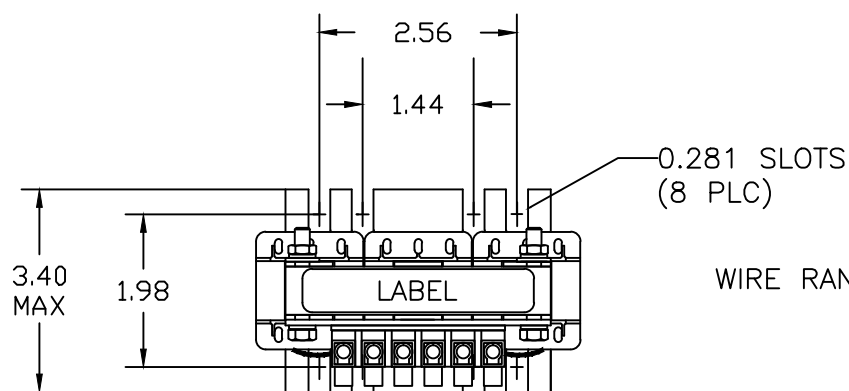


SIZE A	DWG NO 37G00404	SHT 1	REV
REV	DESCRIPTION	DATE	APPROVED

3 Phase Line/Load Reactor  
OPEN FRAME



\*\* ALSO AVAILABLE IN NEMA 1 ENCLOSURE

INDUCTANCE	WATTS LOSS	FUND. AMPS	MAX. AMPS	WEIGHT (LBS)
12.0 mH	21.0	4.0	6.0	6



GE GRID SOLUTIONS  
CLEARWATER, FL

SIZE  
A

LV LINE REACTOR  
37G00404

DRAWN	DCS	DATE	1/11/2017
ISSUED		DATE	1/11/2017

SCALE		SHEET	1	CONT	ON	-
-------	--	-------	---	------	----	---