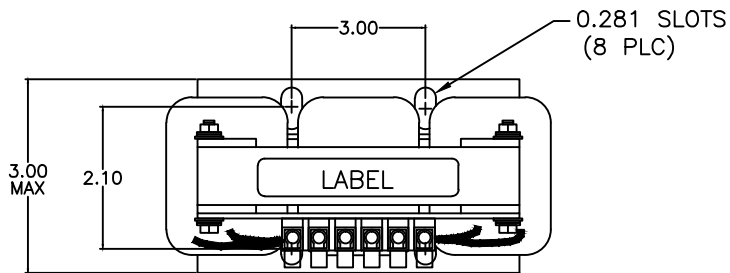
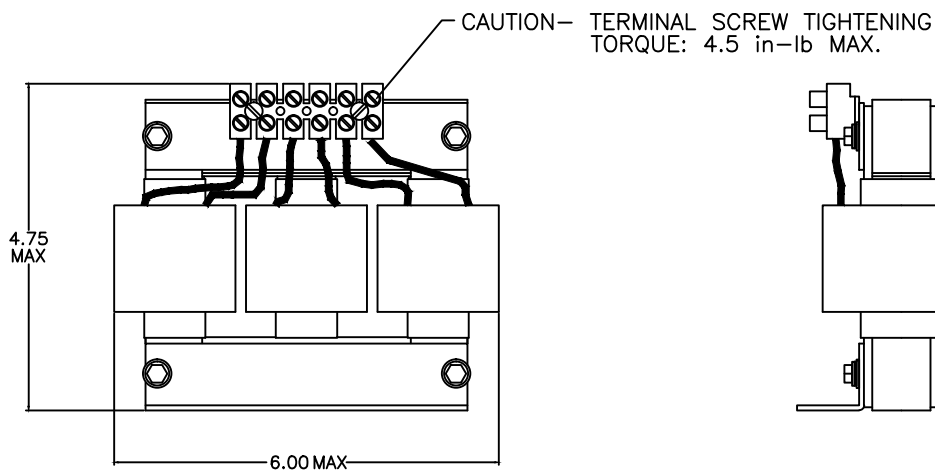


|           |                    |          |          |
|-----------|--------------------|----------|----------|
| SIZE<br>A | DWG NO<br>37G00802 | SHT<br>1 | REV      |
| REV       | DESCRIPTION        | DATE     | APPROVED |

3 Phase Line/Load Reactor  
OPEN FRAME



WIRE RANGE: 22-10 AWG



\*\* ALSO AVAILABLE IN NEMA 1 ENCLOSURE

| INDUCTANCE | WATTS LOSS | FUND. AMPS | MAX. AMPS | WEIGHT (LBS) |
|------------|------------|------------|-----------|--------------|
| 3.0 mH     | 29.0       | 8.0        | 12.0      | 8            |



GE GRID SOLUTIONS  
CLEARWATER, FL

SIZE

A

LV LINE REACTOR  
37G00802

DRAWN DCS DATE 1/11/2017

ISSUED DATE 1/11/2017

SCALE

SHEET 1 CONT ON -