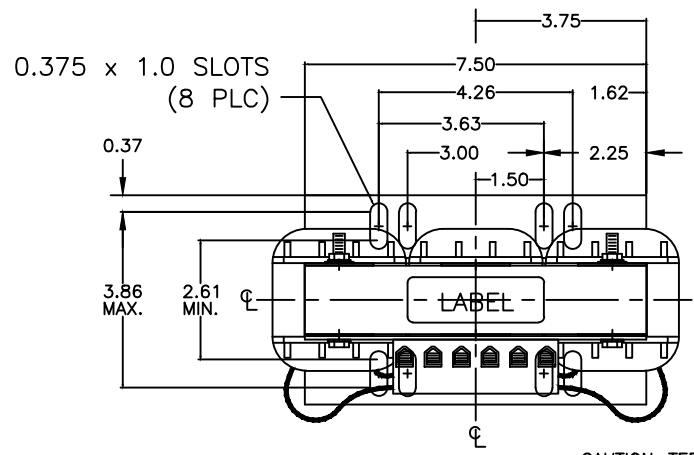


SIZE A	DWG NO 37G03503	SHT 1	REV
REV	DESCRIPTION	DATE	APPROVED

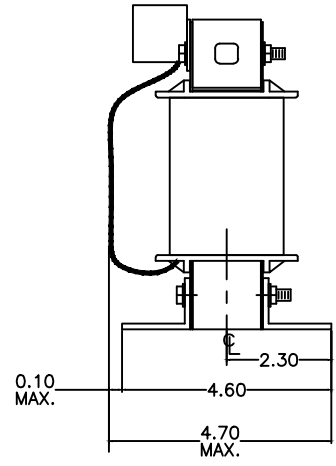
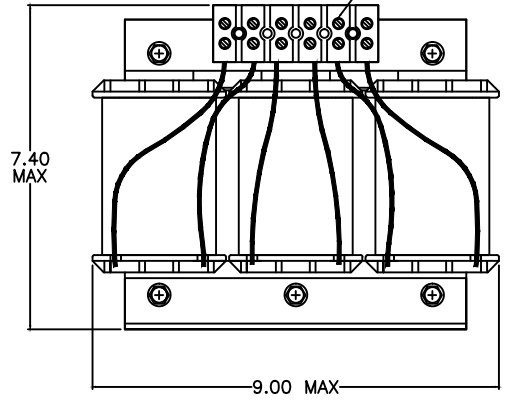
3 Phase Line/Load Reactor
OPEN FRAME



WIRE RANGE: 18-4 AWG

NOTE:
CENTER LINE REPRESENTS
CENTER OF REACTOR CORE

CAUTION-TERMINAL SCREW TIGHTENING
TORQUE: 16 in-lb MAX.



** ALSO AVAILABLE IN NEMA 1 ENCLOSURE

INDUCTANCE	WATTS LOSS	FUND. AMPS	MAX. AMPS	WEIGHT (LBS)
1.20 mH	54.0	35.0	52.5	30



GE GRID SOLUTIONS
CLEARWATER, FL

SIZE
A

LV LINE REACTOR
37G03503

DRAWN	DCS	DATE	1/16/2017
ISSUED		DATE	1/16/2017

SCALE

SHEET 1 CONT ON -