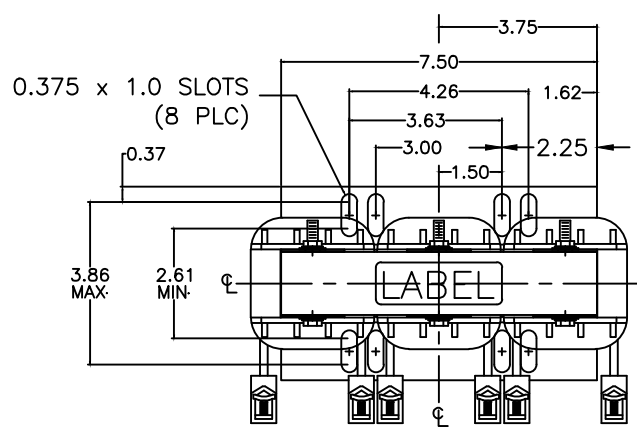


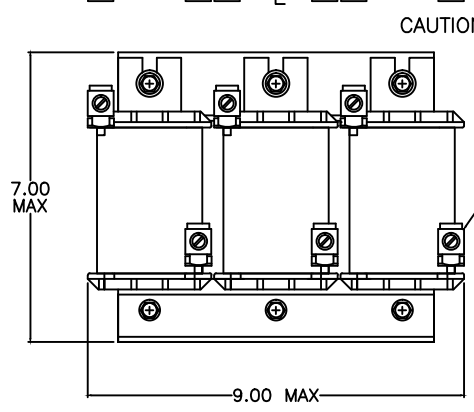
SIZE A	DWG NO 37G05501	SHT 1	REV
REV	DESCRIPTION	DATE	APPROVED

3 Phase Line/Load Reactor  
OPEN FRAME

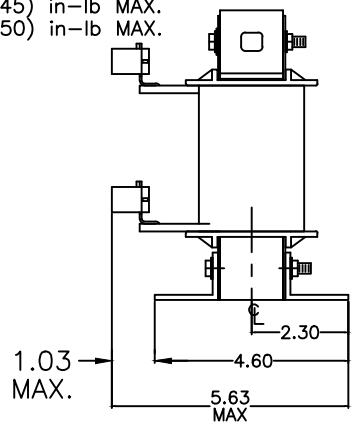


WIRE RANGE: 6-0 AWG

NOTE:  
CENTER LINE REPRESENTS  
CENTER OF REACTOR CORE



CAUTION-TERMINAL SCREW TIGHTENING  
TORQUE: 6-4 (45) in-lb MAX.  
2-0 (50) in-lb MAX.



\*\* ALSO AVAILABLE IN NEMA 1 ENCLOSURE

INDUCTANCE	WATTS LOSS	FUND. AMPS	MAX. AMPS	WEIGHT (LBS)
0.64 mH	64.0	55.0	82.5	24



GE GRID SOLUTIONS  
CLEARWATER, FL

SIZE  
A

LV LINE REACTOR  
37G05501

DRAWN	DCS	DATE	1/16/2017
ISSUED		DATE	1/16/2017

SCALE		SHEET	1	CONT	ON	-
-------	--	-------	---	------	----	---