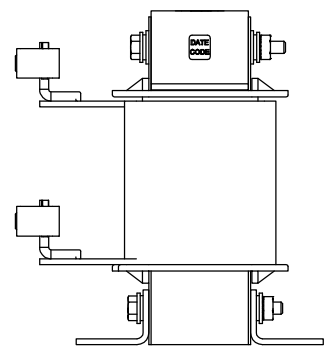
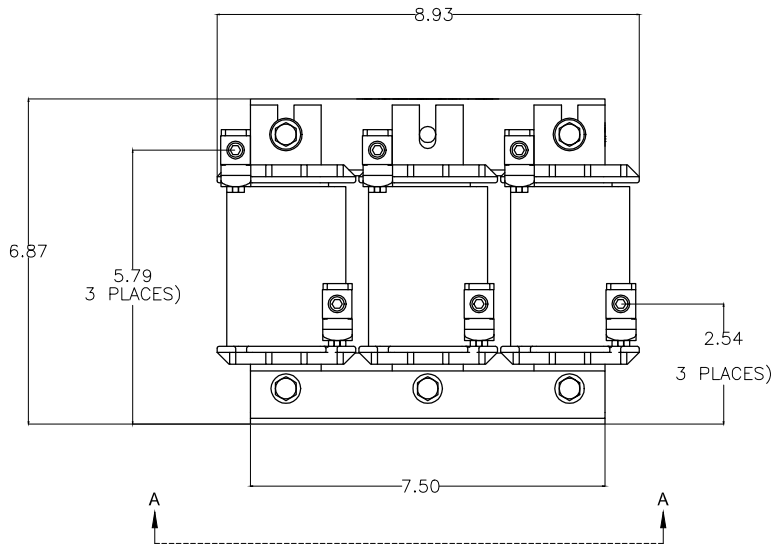
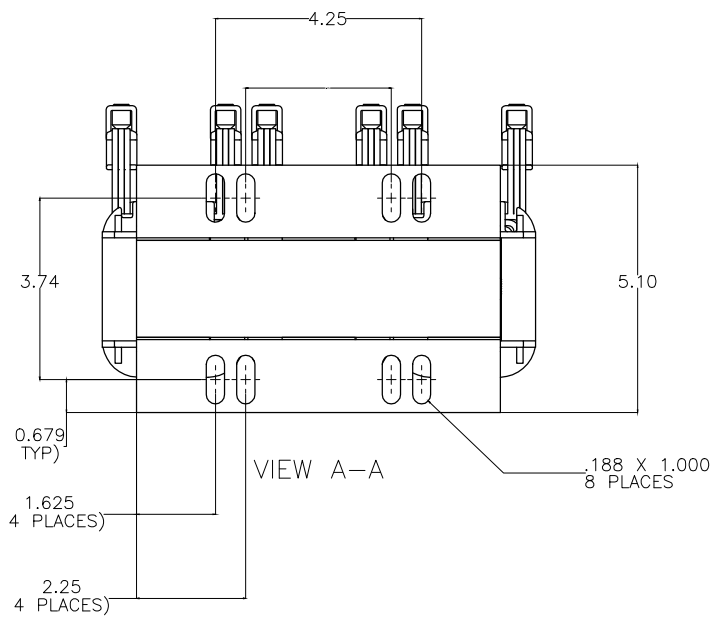
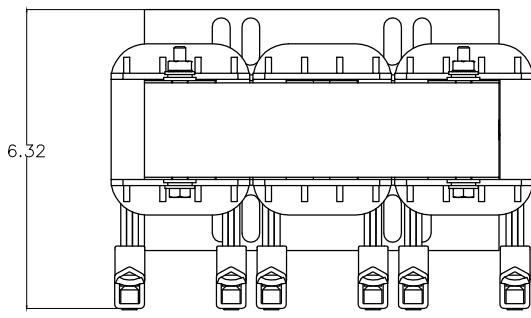


SIZE A	DWG NO 37G05503	SHT 1	REV
REV	DESCRIPTION	DATE	APPROVED

3 Phase Line/Load Reactor
OPEN FRAME



- NOTES:
1. TERMINAL SCREW TORQUE:
6-4 (45 IN-LBS MAX)
2-0 (50 IN-LBS MAX)
 2. WIRE RANGE: 6-0 AWG

** ALSO AVAILABLE IN NEMA 1 ENCLOSURE

INDUCTANCE	WATTS LOSS	FUND. AMPS	MAX. AMPS	WEIGHT (LBS)
0.9 mH	71.0	55.0	82.5	41



GE GRID SOLUTIONS
CLEARWATER, FL

SIZE
A

LV LINE REACTOR
37G05503

DRAWN DCS DATE 1/17/2017

ISSUED DATE 1/17/2017

SCALE

SHEET 1 CONT ON -