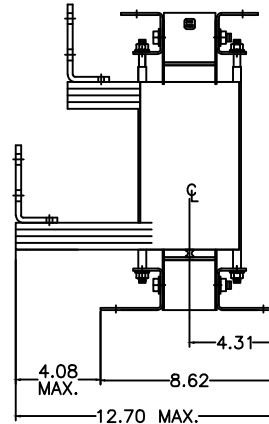
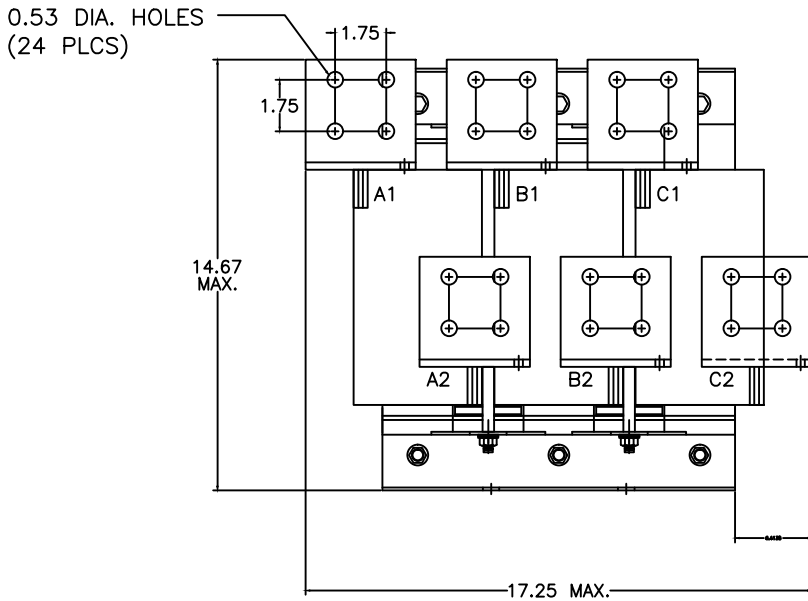
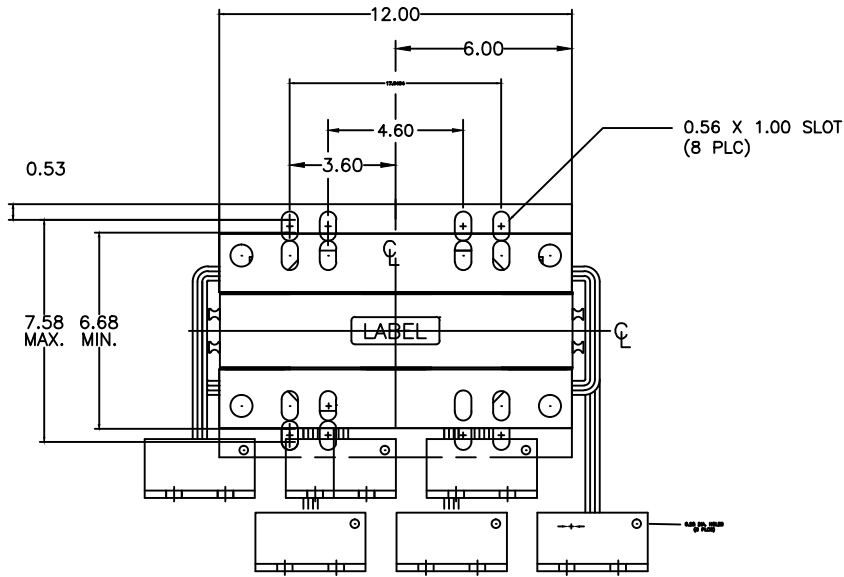


|           |                        |          |          |
|-----------|------------------------|----------|----------|
| SIZE<br>A | DWG NO<br>37G100001B14 | SHT<br>1 | REV      |
| REV       | DESCRIPTION            | DATE     | APPROVED |

3 Phase Line/Load Reactor  
OPEN FRAME



\*\* ALSO AVAILABLE IN NEMA 1 ENCLOSURE

| INDUCTANCE | WATTS LOSS | FUND. AMPS | MAX. AMPS | WEIGHT (LBS) |
|------------|------------|------------|-----------|--------------|
| 0.11 mH    | 940.0      | 1000.0     | 1250.0    | 144          |



GE GRID SOLUTIONS  
CLEARWATER, FL

SIZE

A

LV LINE REACTOR  
37G100001B14

DRAWN DCS DATE 1/16/2017

ISSUED DATE 1/16/2017

SCALE

SHEET 1 CONT ON -