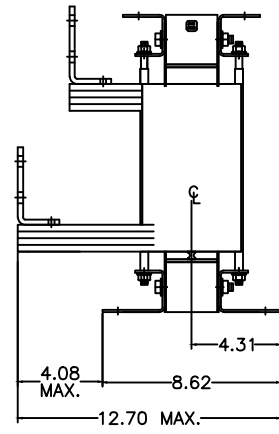
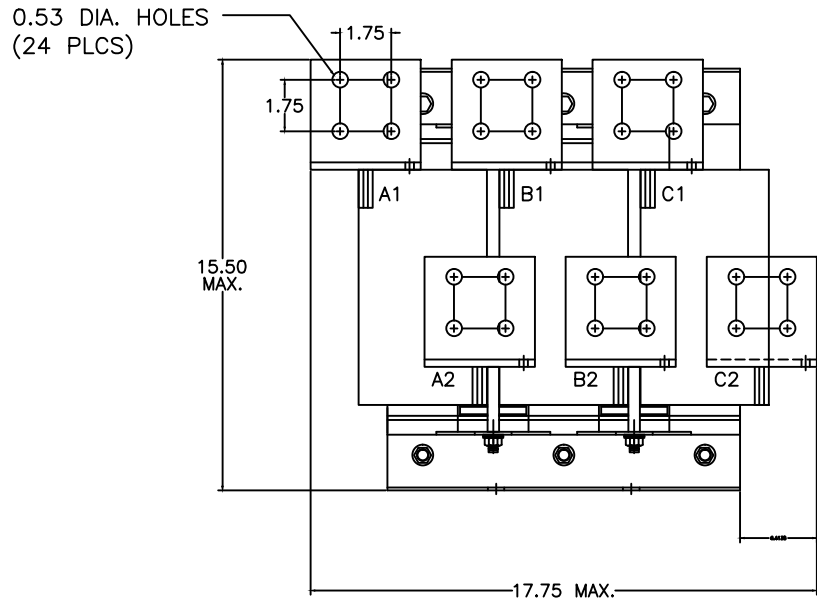
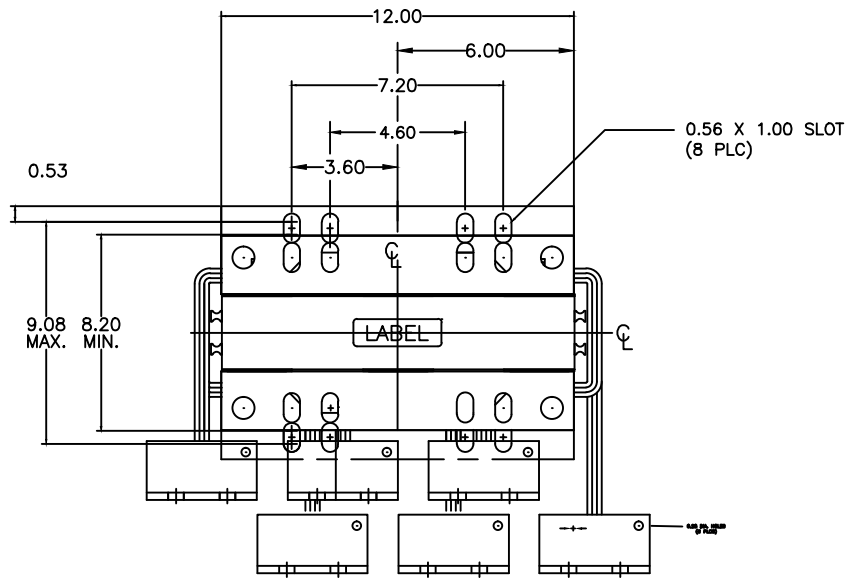


SIZE A	DWG NO 37G100002B14	SHT 1	REV
REV	DESCRIPTION	DATE	APPROVED

3 Phase Line/Load Reactor
OPEN FRAME



** ALSO AVAILABLE IN NEMA 1 ENCLOSURE

INDUCTANCE	WATTS LOSS	FUND. AMPS	MAX. AMPS	WEIGHT (LBS)
0.11 mH	1090.0	1000.0	1250.0	215



GE GRID SOLUTIONS
CLEARWATER, FL

SIZE
A

LV LINE REACTOR
37G100002B14

DRAWN DCS DATE 1/16/2017

ISSUED DATE 1/16/2017

SCALE

SHEET 1 CONT ON -