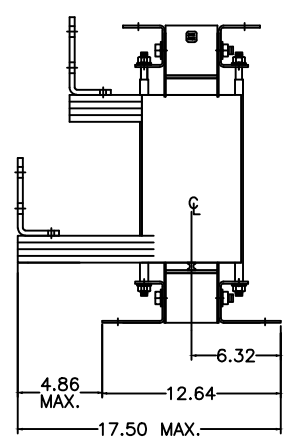
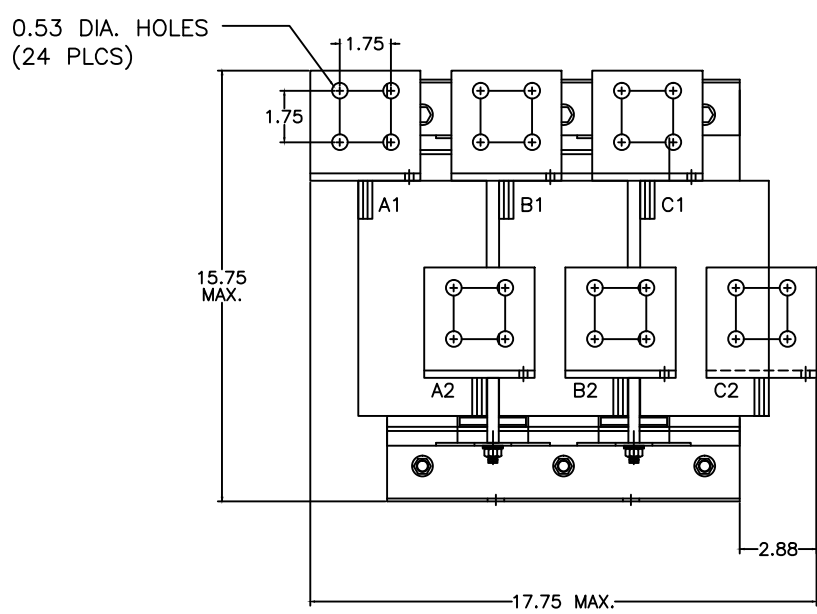
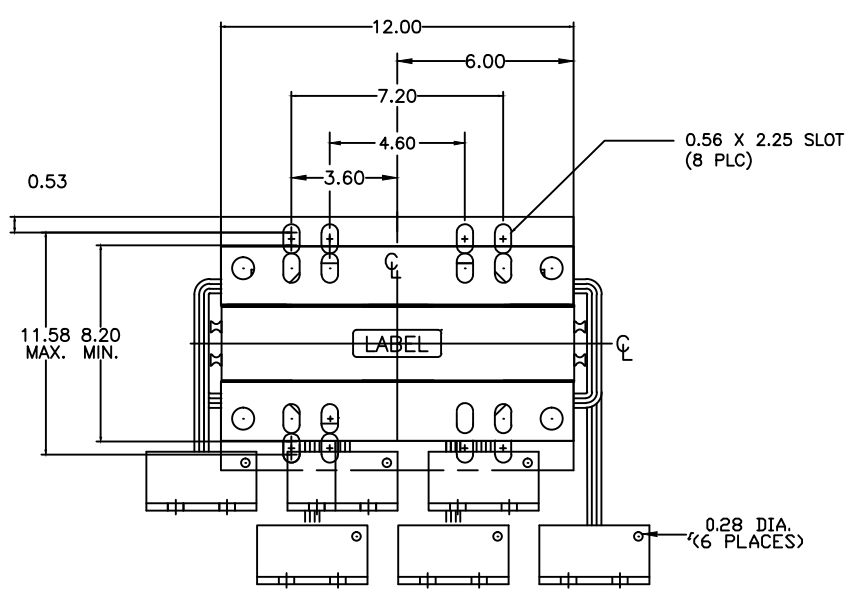


SIZE A	DWG NO 37G100003B14	SHT 1	REV
REV	DESCRIPTION	DATE	APPROVED

3 Phase Line/Load Reactor
OPEN FRAME



** ALSO AVAILABLE IN NEMA 1 ENCLOSURE

INDUCTANCE	WATTS LOSS	FUND. AMPS	MAX. AMPS	WEIGHT (LBS)
0.038 mH	1500.0	1000.0	1250.0	315

GE GRID SOLUTIONS CLEARWATER, FL	DRAWN DCS	DATE 1/18/2017	SIZE A	LV LINE REACTOR 37G100003B14
	ISSUED	DATE 1/18/2017		