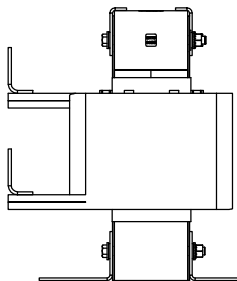
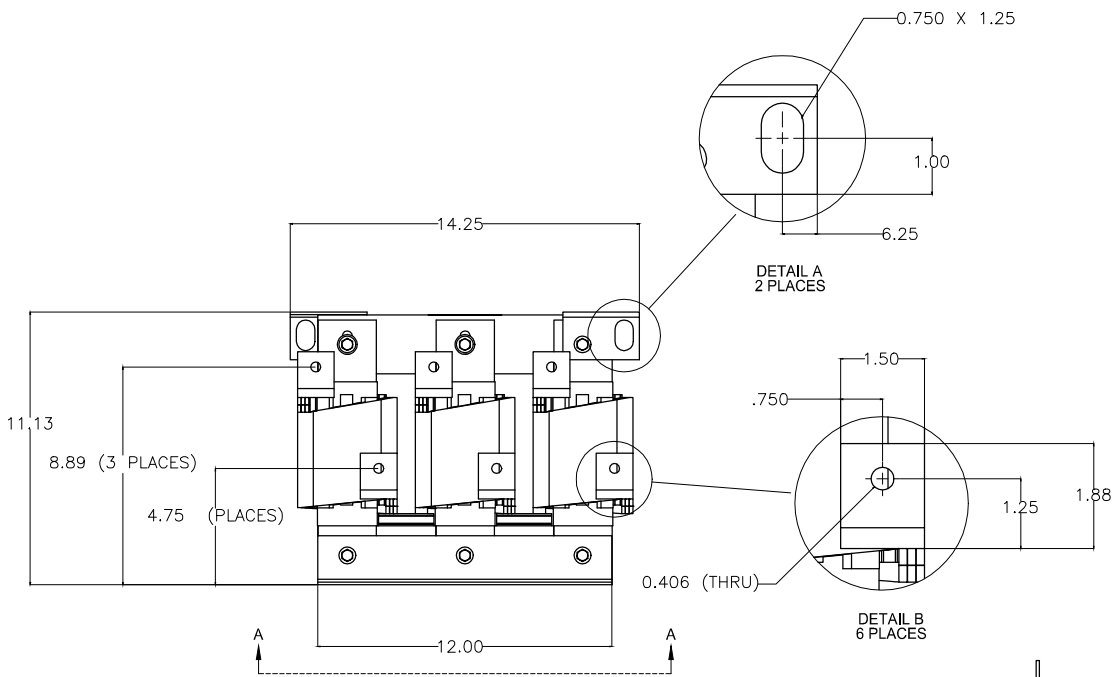
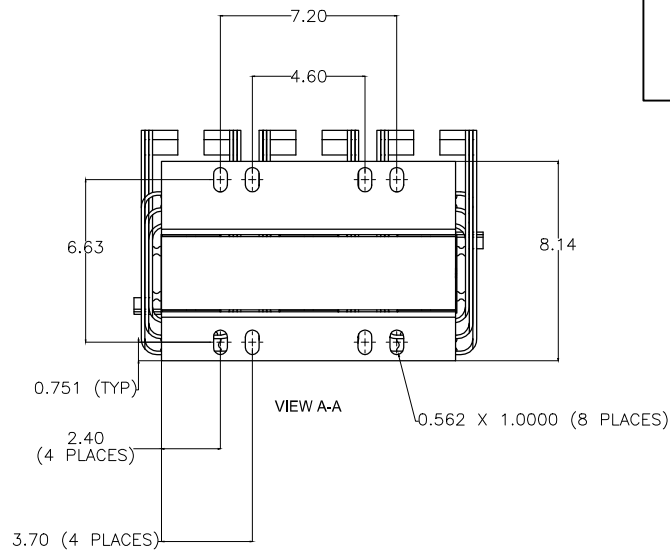
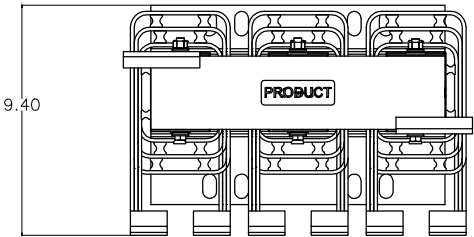


3 Phase Line/Load Reactor
OPEN FRAME

SIZE A	DWG NO 37G40002B14	SHT 1	REV
REV	DESCRIPTION	DATE	APPROVED



** ALSO AVAILABLE IN NEMA 1 ENCLOSURE

INDUCTANCE	WATTS LOSS	FUND. AMPS	MAX. AMPS	WEIGHT (LBS)
0.1 mH	333.0	400.0	600.0	118

	GE GRID SOLUTIONS CLEARWATER, FL		SIZE A	LV LINE REACTOR 37G40002B14	
	DRAWN DCS	DATE 1/25/2017	SCALE	SHEET 1	CONT ON -
ISSUED	DATE 1/25/2017				