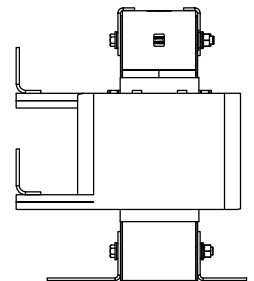
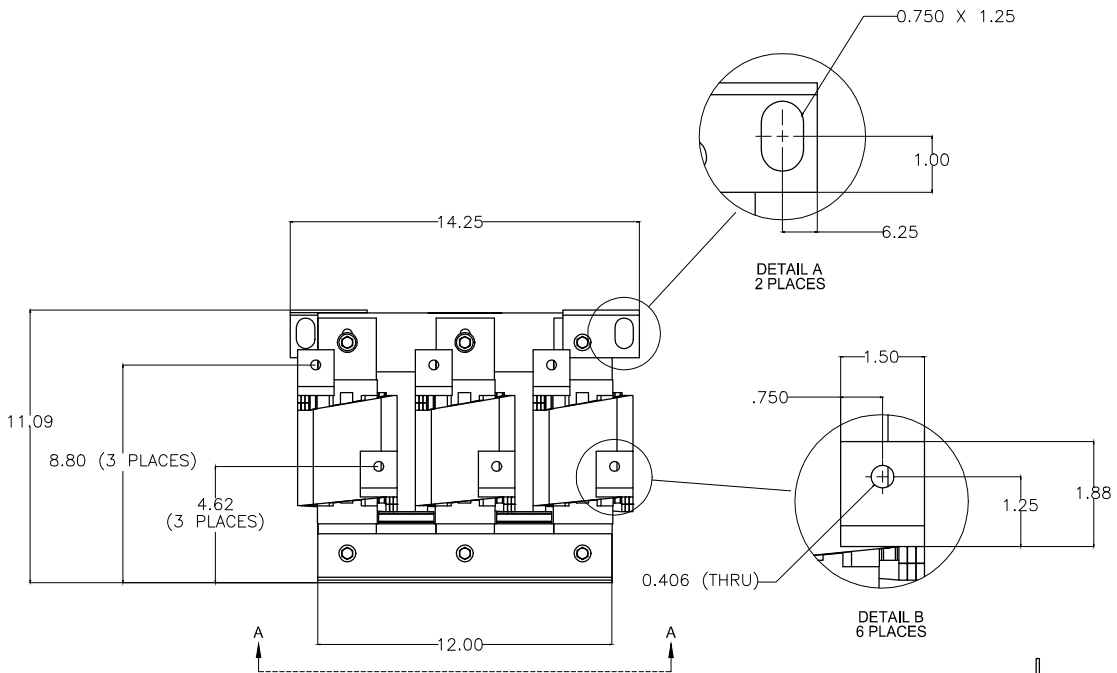
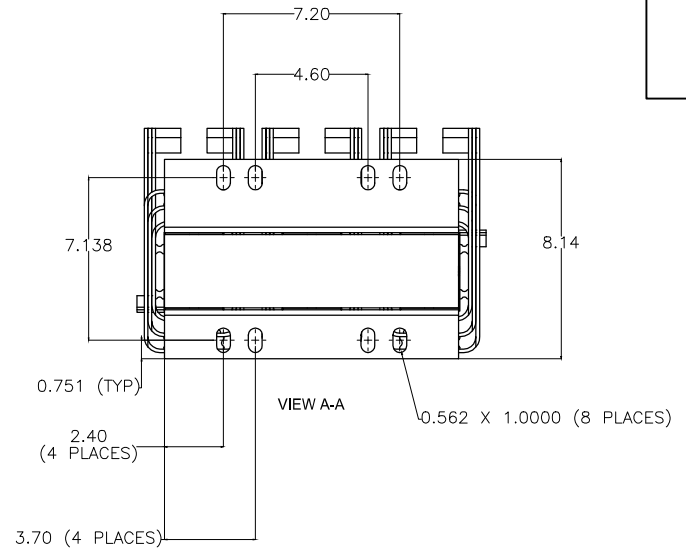
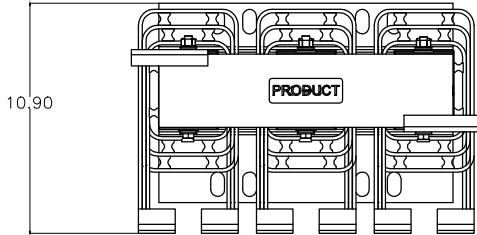


3 Phase Line/Load Reactor
OPEN FRAME

SIZE A	DWG NO 37G40003B14	SHT 1	REV
REV	DESCRIPTION	DATE	APPROVED



** ALSO AVAILABLE IN NEMA 1 ENCLOSURE

INDUCTANCE	WATTS LOSS	FUND. AMPS	MAX. AMPS	WEIGHT (LBS)
0.1 mH	293.0	400.0	600.0	149

GE GRID SOLUTIONS CLEARWATER, FL	SIZE A	LV LINE REACTOR 37G40003B14
	DRAWN DCS DATE 1/25/2017 ISSUED DATE 1/25/2017	
		SHEET 1 CONT ON -