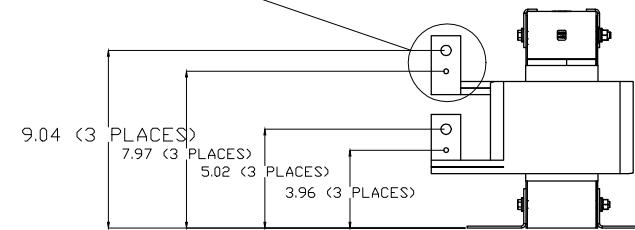
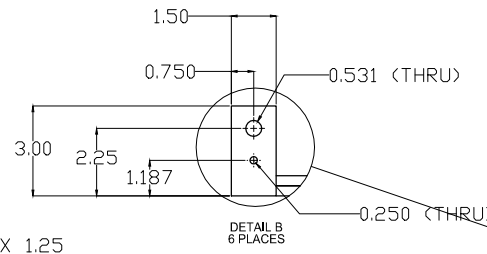
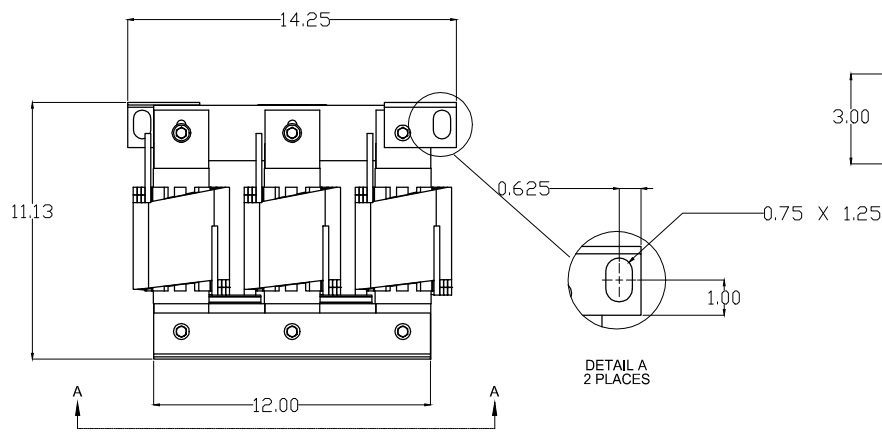
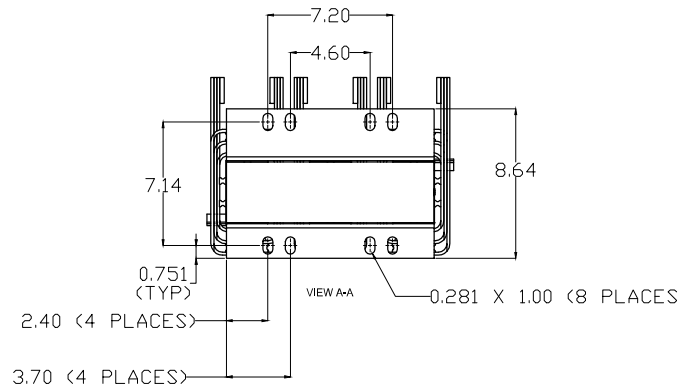
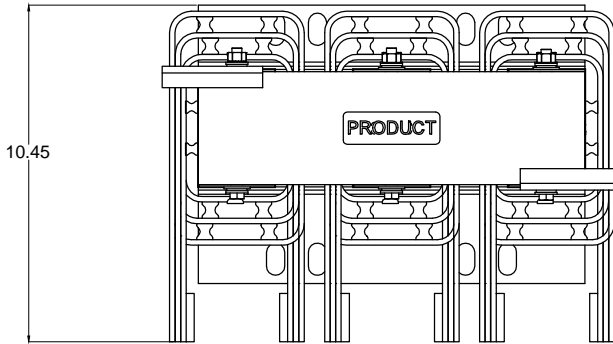


SIZE A	DWG NO 37G50002	SHT	REV
REV	DESCRIPTION	DATE	APPROVED



INDUCTANCE	WATTS LOSS	FUND. AMPS	MAX. AMPS	WEIGHT (LBS)
0.10 mH	340.0	500.0	750.0	118.0

GE GRID SOLUTIONS CLEARWATER, FL U.S.A	SIZE A	LV LINE REACTOR 37G50002
	DRAWN D SEYMOUR DATE 1/25/2017	
ISSUED DATE 1/25/2017	SCALE	SHEET 1 CONT ON

DISTR. TO