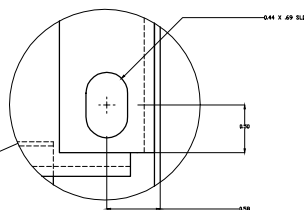
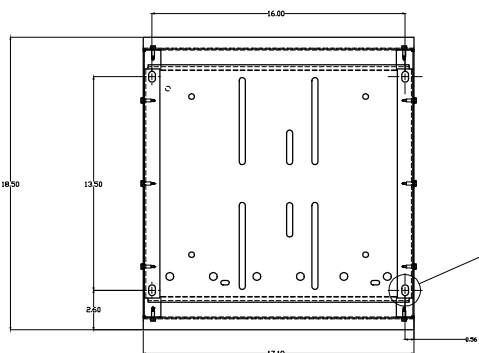
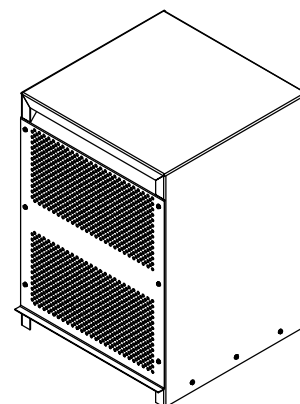
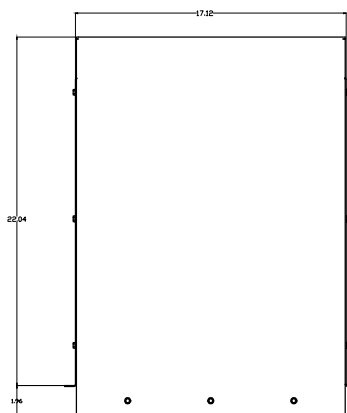
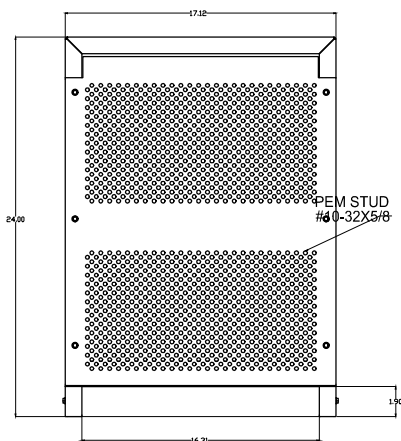


SIZE A	DWG NO 37G50011B14	SHT 1	REV
REV	DESCRIPTION	DATE	APPROVED

3 Phase Line/Load Reactor  
NEMA 1 ENCLOSURE



- HARDWARE INCLUDED:**  
 NUT 1/4-20 HEX STEEL ZINC PLATED  
 NUT 1/4-20 HEX STEEL ZINC PLATED  
 SCREW 1/4-20X3/4 HEX STEEL ZINC PLATED  
 WASHER 1/4 FLAT STEEL ZINC PLATED  
 WASHER 1/4 SPLITLOCK STEEL ZINC PLATED  
 WASHER #10 FLAT STEEL ZINC PLATED  
 WASHER #10 SPLITLOCK STEEL ZINC PLATED  
 NUT #10-32 HEX STEEL ZINC PLATED  
 SCREW #10-32X3/4 RH STEEL ZINC PLATED  
 SCREW #8-32X3/4 RH SLFT STL ZINC PLATED

- QTY 1  
 QTY 4  
 QTY 4  
 QTY 8  
 QTY 4  
 QTY 3  
 QTY 3  
 QTY 3  
 QTY 2  
 QTY 2

INDUCTANCE	WATTS LOSS	FUND. AMPS	MAX. AMPS	WEIGHT (LBS)
0.025 mH	266.0	500.0	750.0	117.0



GE GRID SOLUTIONS  
CLEARWATER, FL

SIZE

A

LV LINE REACTOR  
37G50011B14

DRAWN DCS DATE 1/25/2017

ISSUED DATE 1/25/2017

SCALE

SHEET 1 CONT ON -