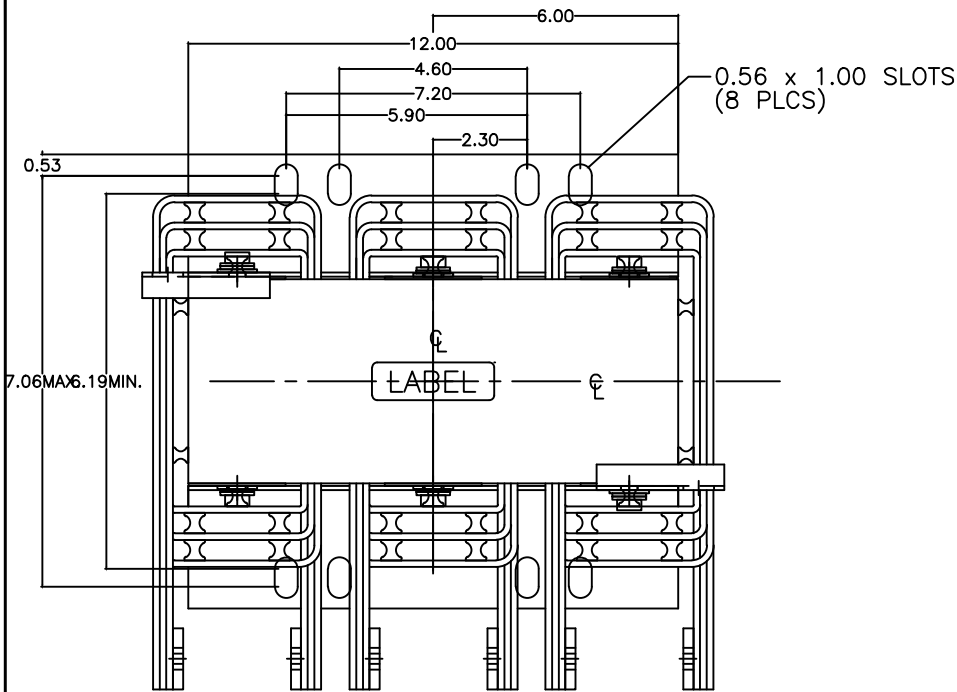
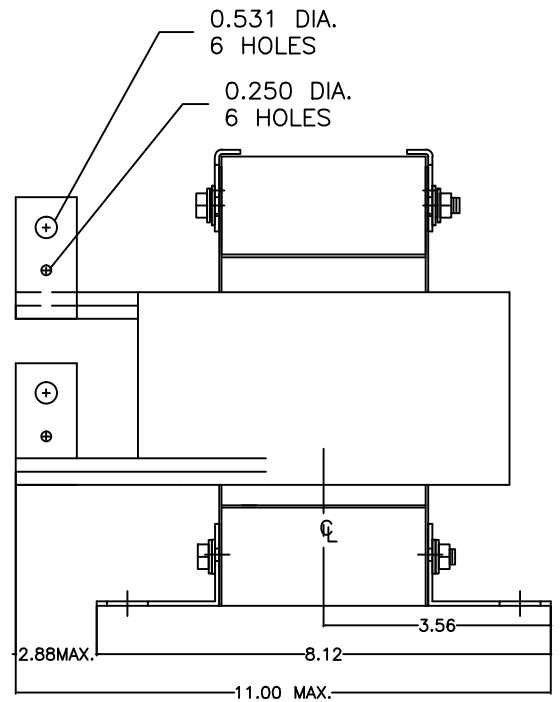
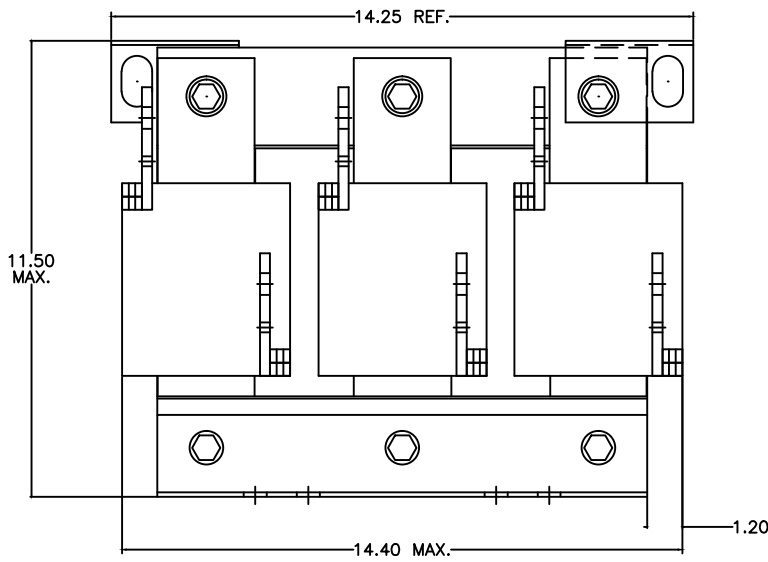


SIZE A	DWG NO 37G75001	SHT 1	REV
REV	DESCRIPTION	DATE	APPROVED

3 Phase Line/Load Reactor
OPEN FRAME




NOTE:
CENTER LINE REPRESENTS
CENTER OF REACTOR CORE



** ALSO AVAILABLE IN NEMA 1 ENCLOSURE

INDUCTANCE	WATTS LOSS	FUND. AMPS	MAX. AMPS	WEIGHT (LBS)
0.015 mH	427.0	750.0	1125.0	140

 GE GRID SOLUTIONS CLEARWATER, FL	SIZE A	LV LINE REACTOR 37G75001
	DRAWN DCS DATE 1/25/2017 ISSUED DATE 1/25/2017	
SHEET 1 CONT ON -		