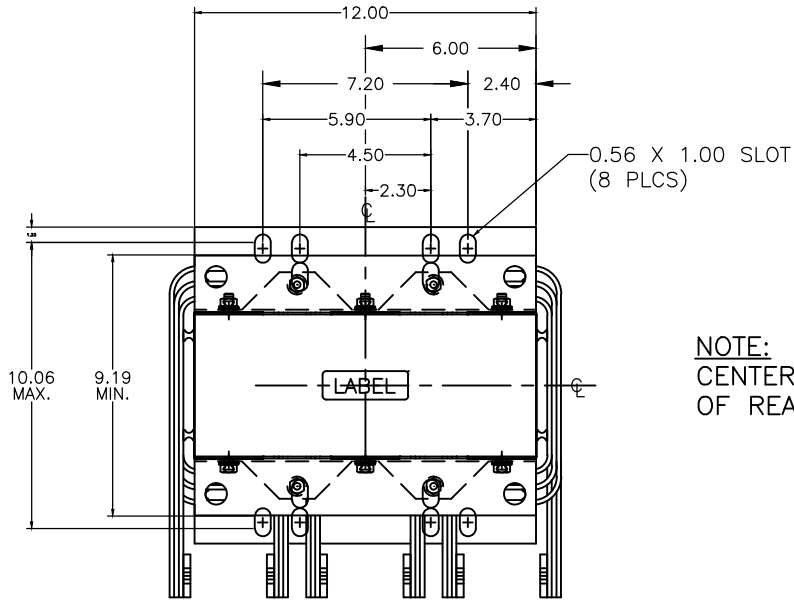
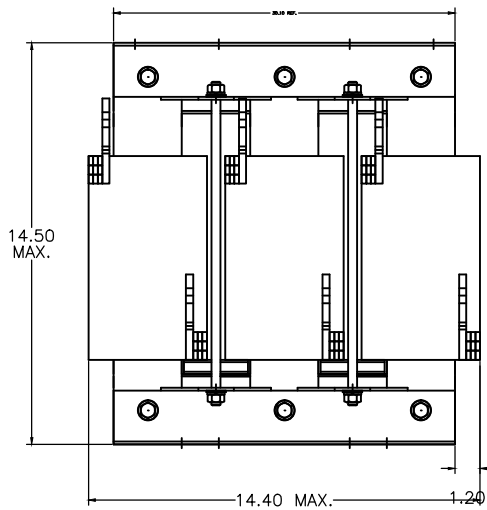


SIZE A	DWG NO 37G75003	SHT 1	REV
REV	DESCRIPTION	DATE	APPROVED

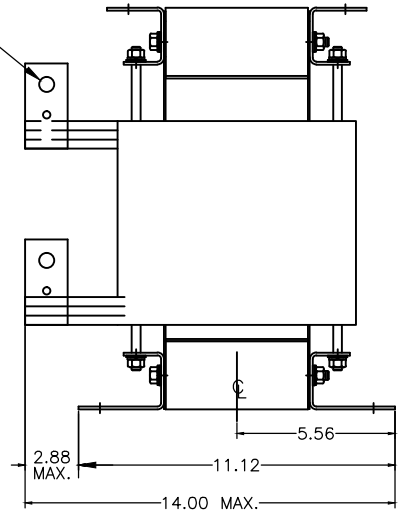
3 Phase Line/Load Reactor
OPEN FRAME



NOTE:
CENTER LINES REPRESENT CENTER
OF REACTOR CORE



0.531 DIA. HOLE
(6 PLCS)



** ALSO AVAILABLE IN NEMA 1 ENCLOSURE

INDUCTANCE	WATTS LOSS	FUND. AMPS	MAX. AMPS	WEIGHT (LBS)
0.048 mH	552	750.0	1125.0	265



GE GRID SOLUTIONS
CLEARWATER, FL

SIZE

A

LV LINE REACTOR
37G75003

DRAWN

DCS

DATE 1/26/2017

ISSUED

DATE 1/26/2017

SCALE

SHEET 1 CONT ON -