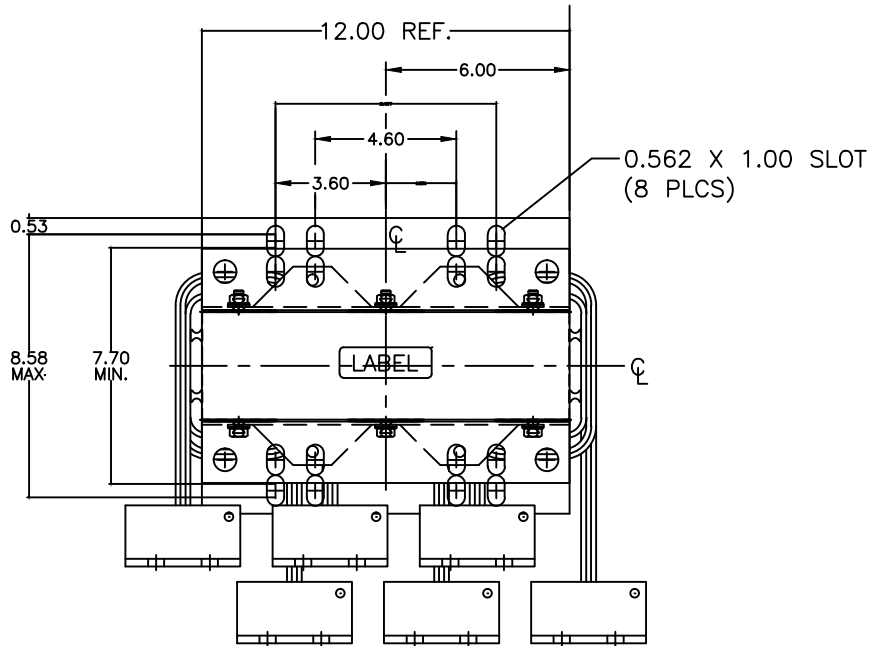
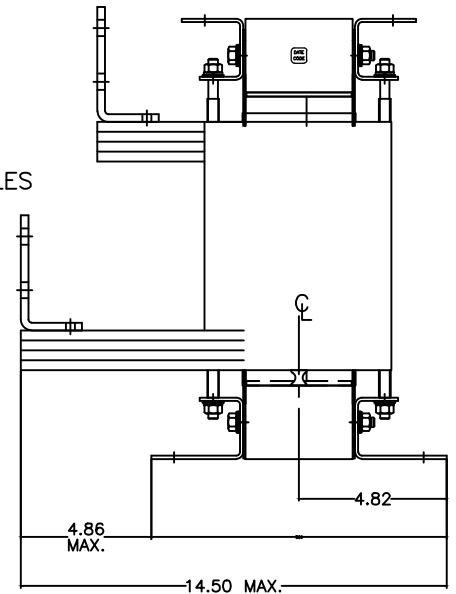
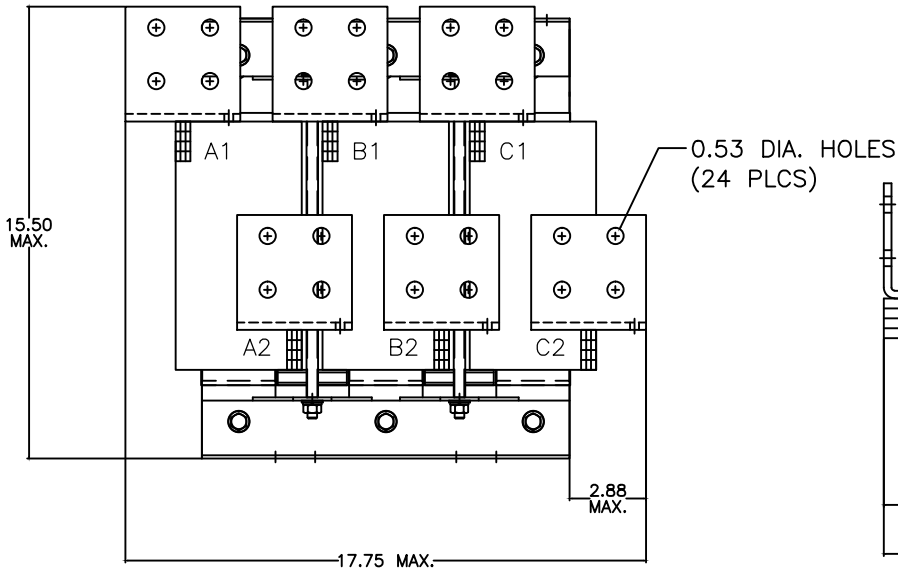


SIZE A	DWG NO 37G85001B14	SHT 1	REV
REV	DESCRIPTION	DATE	APPROVED

3 Phase Line/Load Reactor
OPEN FRAME



NOTES:
CENTER LINE REPRESENTS
CENTER OF REACTOR CORE



** ALSO AVAILABLE IN NEMA 1 ENCLOSURE

INDUCTANCE	WATTS LOSS	FUND. AMPS	MAX. AMPS	WEIGHT (LBS)
0.015 mH	798	850.0	1275.0	195



GE GRID SOLUTIONS
CLEARWATER, FL

SIZE
A

LV LINE REACTOR
37G85001B14

DRAWN DCS

DATE 1/25/2017

ISSUED

DATE 1/25/2017

SCALE

SHEET 1 CONT ON -