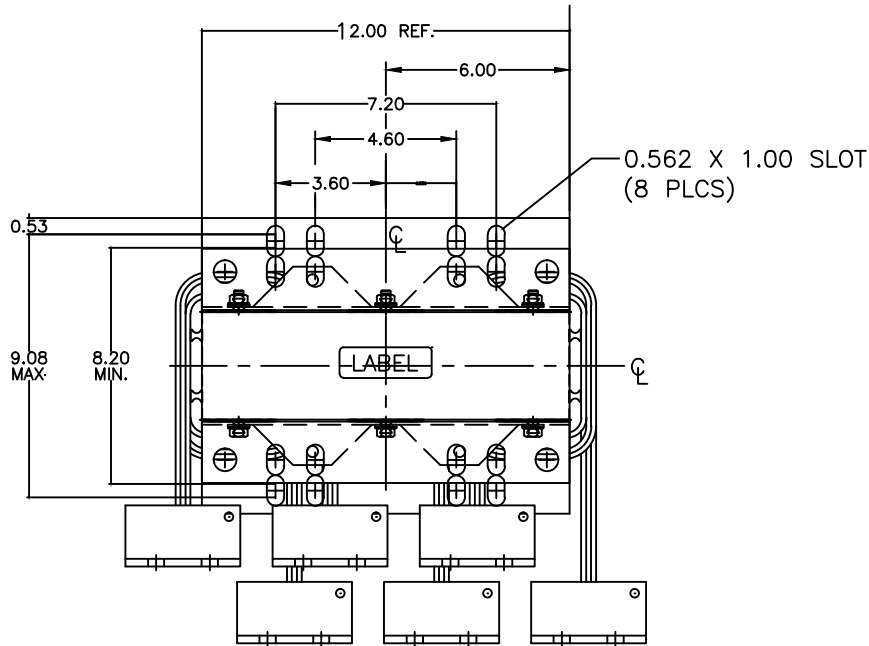
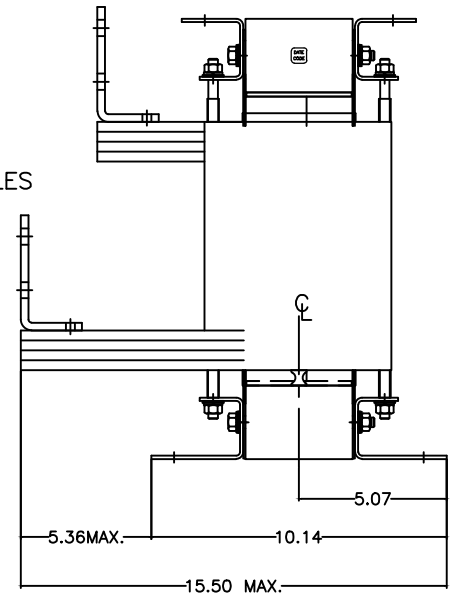
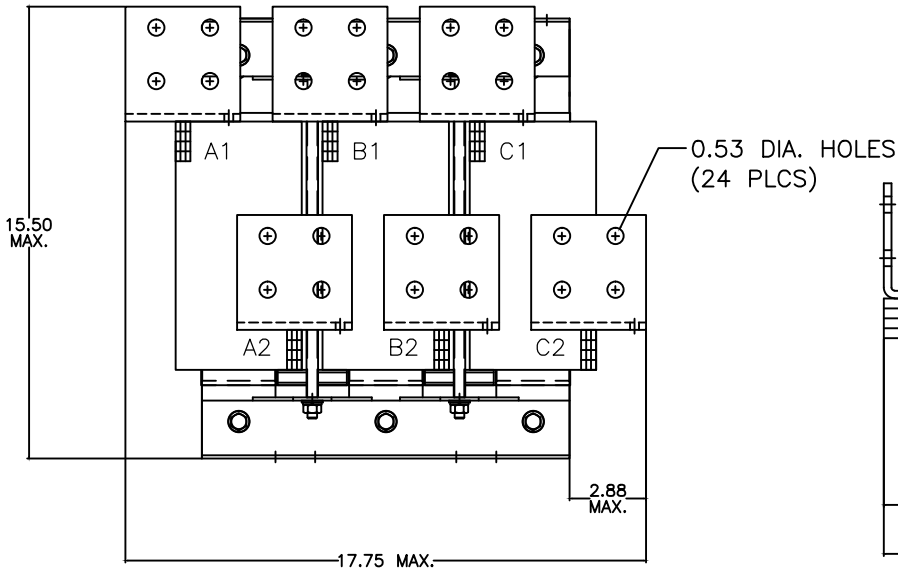


SIZE A	DWG NO 37G85002B14	SHT 1	REV
REV	DESCRIPTION	DATE	APPROVED

3 Phase Line/Load Reactor  
OPEN FRAME



NOTES:  
CENTER LINE REPRESENTS  
CENTER OF REACTOR CORE



\*\* ALSO AVAILABLE IN NEMA 1 ENCLOSURE

INDUCTANCE	WATTS LOSS	FUND. AMPS	MAX. AMPS	WEIGHT (LBS)
0.027 mH	930	850.0	1275.0	215



GE GRID SOLUTIONS  
CLEARWATER, FL

SIZE  
A

LV LINE REACTOR  
37G85002B14

DRAWN DCS DATE 1/26/2017

ISSUED DATE 1/26/2017

SCALE

SHEET 1 CONT ON -