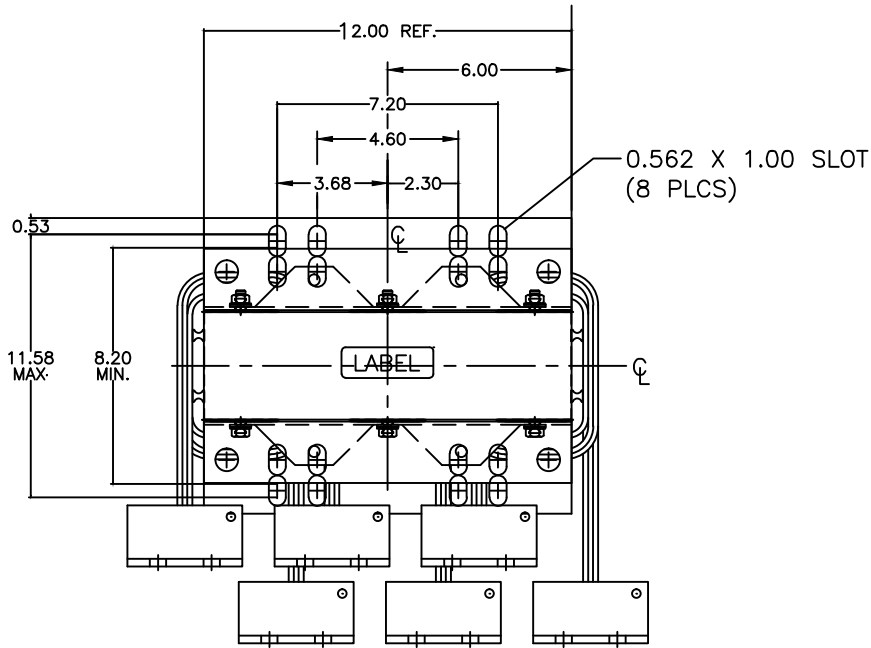
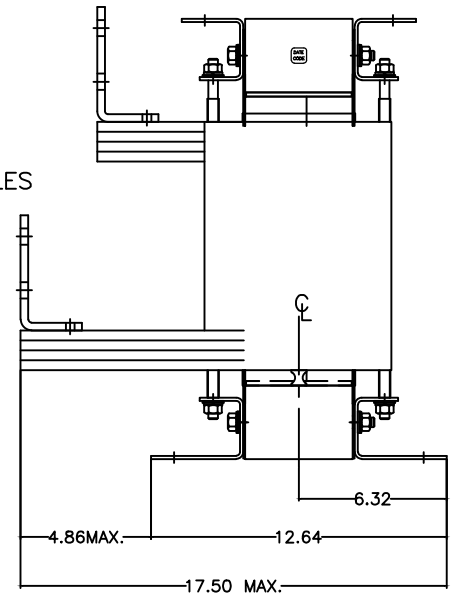
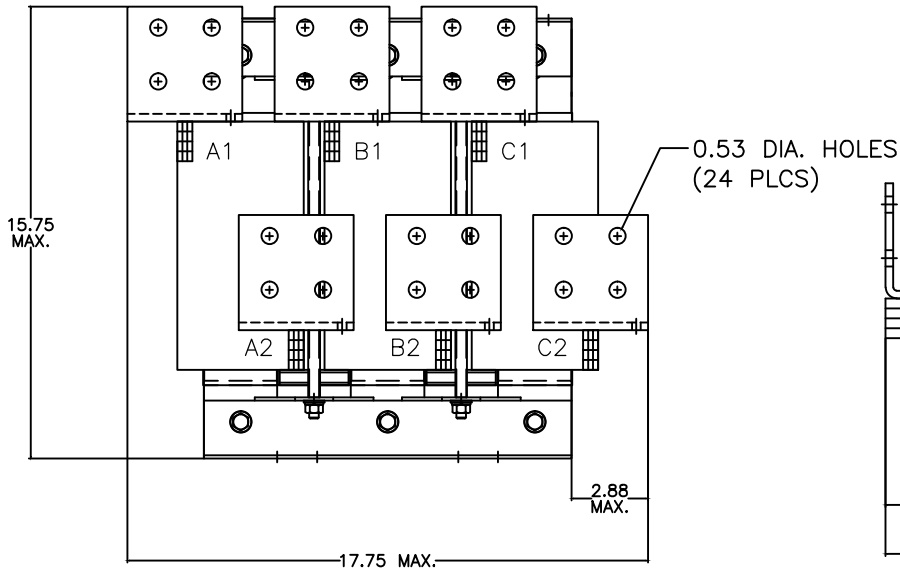


SIZE A	DWG NO 37G85003B14	SHT 1	REV
REV	DESCRIPTION	DATE	APPROVED

3 Phase Line/Load Reactor
OPEN FRAME



NOTES:
CENTER LINE REPRESENTS
CENTER OF REACTOR CORE



** ALSO AVAILABLE IN NEMA 1 ENCLOSURE

INDUCTANCE	WATTS LOSS	FUND. AMPS	MAX. AMPS	WEIGHT (LBS)
0.042 mH	1133	850.0	1275.0	315

GE GRID SOLUTIONS CLEARWATER, FL	SIZE A	LV LINE REACTOR 37G85003B14
	DRAWN DCS ISSUED	
SHEET 1 CONT ON -		