

INSTRUCTIONS

Switchgear

AC-1 RECLOSER

CAT. NO. 6154673

IN DRAWOUT CASE

GENERAL  **ELECTRIC**

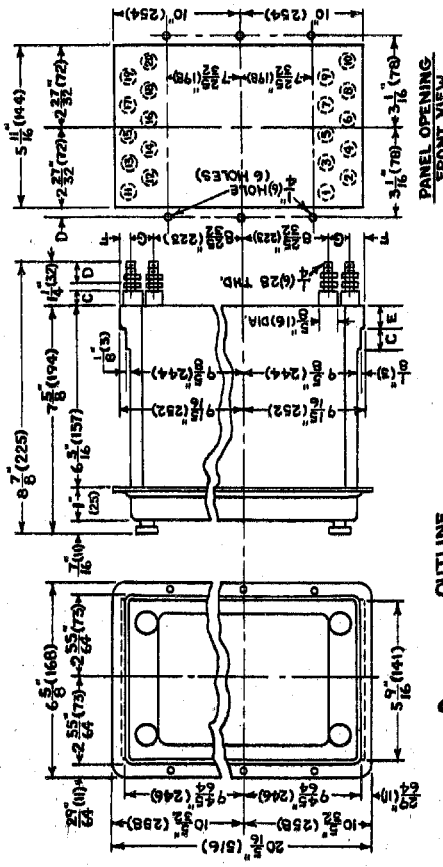
TYPE AC-1 RECLOSER

CAT. 6154673

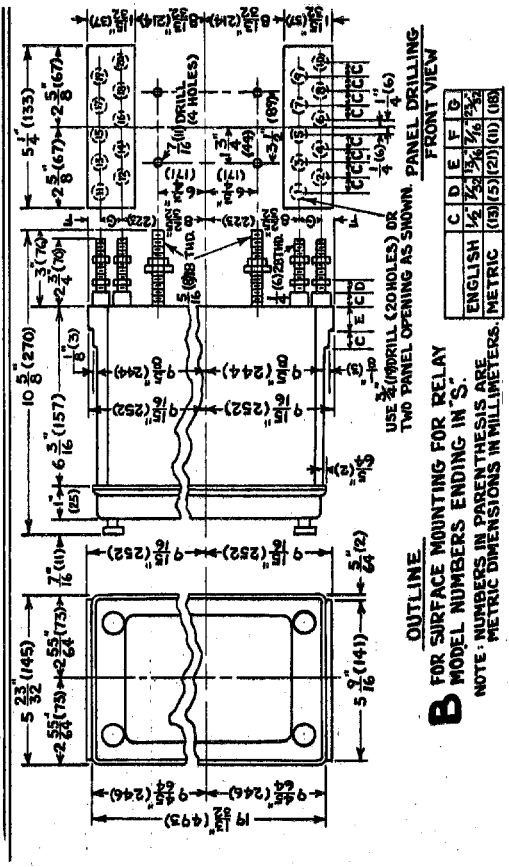
(In Drawout Case)

These instructions are intended to supplement those given in included instructions GEI-12071. The relays covered by the above catalog number are similar to those under Cat. 6070601, described in GEI-12071, except that the alarm contact J-M is electrically separate from the closing circuit and is brought out to separate studs. The outline and panel drilling are shown in Fig. 1 and the internal connections in Fig. 2 of this instruction book. The external connections are similar to those shown in Fig. 1 of included instructions GEI-12071 with the exception of the connections to the alarm contact.

These instructions do not purport to cover all details or variations in equipment nor to provide for every possible contingency to be met in connection with installation, operation or maintenance. Should further information be desired or should particular problems arise which are not covered sufficiently for the purchaser's purposes, the matter should be referred to the General Electric Company.



A OUTLINE FOR FLUSH MOUNTING FOR RELAY MODEL NUMBERS ENDING IN 'R'



B OUTLINE FOR SURFACE MOUNTING FOR RELAY MODEL NUMBERS ENDING IN 'S'. NOTE: NUMBERS IN PARENTHESIS ARE METRIC DIMENSIONS IN MILLIMETERS.

	C	D	E	F	D
ENGLISH	1/2	5/8	3/4	7/8	3/4
METRIC	(13)	(16)	(19)	(21)	(19)

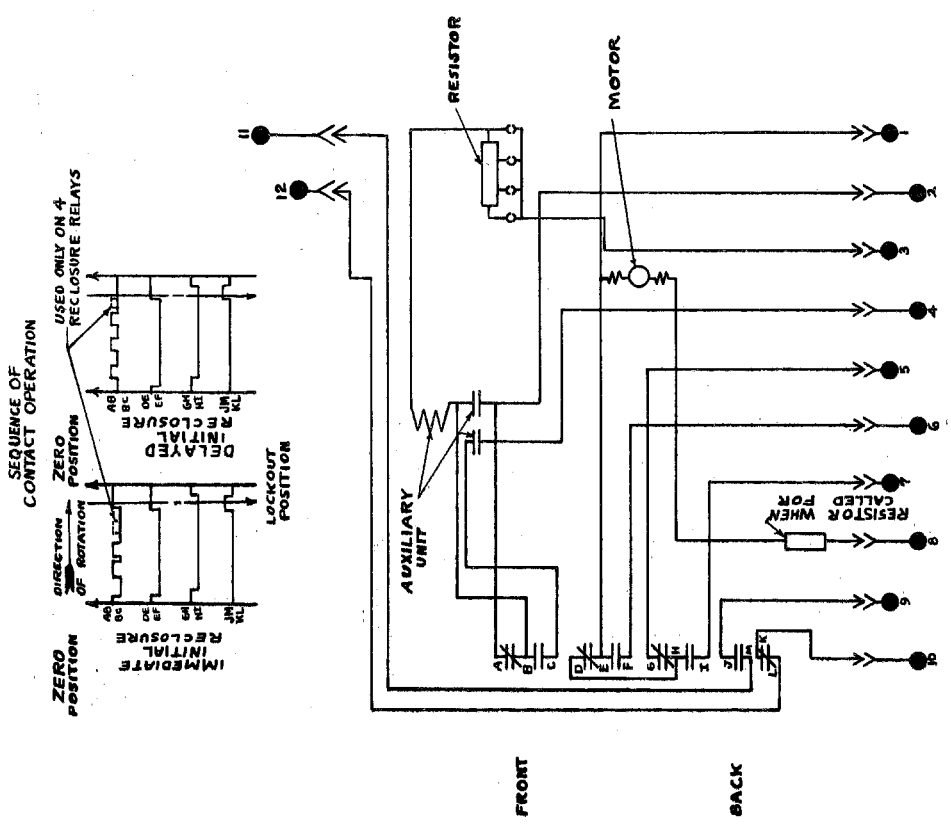


FIG. 2 INTERNAL CONNECTIONS FOR AC-1 RECLOSER CAT. 6150673 IN DRAWING CASE

FIG. 1 OUTLINE AND PANEL DRILLING FOR THREE-UNIT, DOUBLE-END CASE OF DRAWOUT CONSTRUCTION