



# INSTRUCTIONS

GEK-31164A  
Insert Booklet GEH-2057

TRANSFORMER DIFFERENTIAL RELAY

WITH PERCENTAGE AND HARMONIC

RESTRAINT

TYPE BDD20B

**POWER SYSTEMS MANAGEMENT DEPARTMENT**

**GENERAL  ELECTRIC**



INTRODUCTION

These instructions are a supplement to Instruction Book GEH-2057, which is included in this book. The combination of the two form instructions for the type BDD20B relay.

DESCRIPTION

The Type BDD20B relay is similar to the BDD16B except the former has seven through current restraint windings and is mounted in the L2 (large, double ended) case.

Figure 1 shows the internal connection diagram for the BDD20B relay.

Figure 2 shows the typical wiring diagram for the BDD20B relay.

Figure 3 shows the test circuit for the BDD20B relay.

Figure 4 shows the test circuit for the BDD20B relay using station D.C. trip voltage.

Figure 5 shows the outline and panel drilling for the BDD20B relay.

These instructions do not purport to cover all details or variations in equipment nor to provide for every possible contingency to be met in connection with installation, operation or maintenance. Should further information be desired or should particular problems arise which are not covered sufficiently for the purchaser's purposes, the matter should be referred to the General Electric Company.

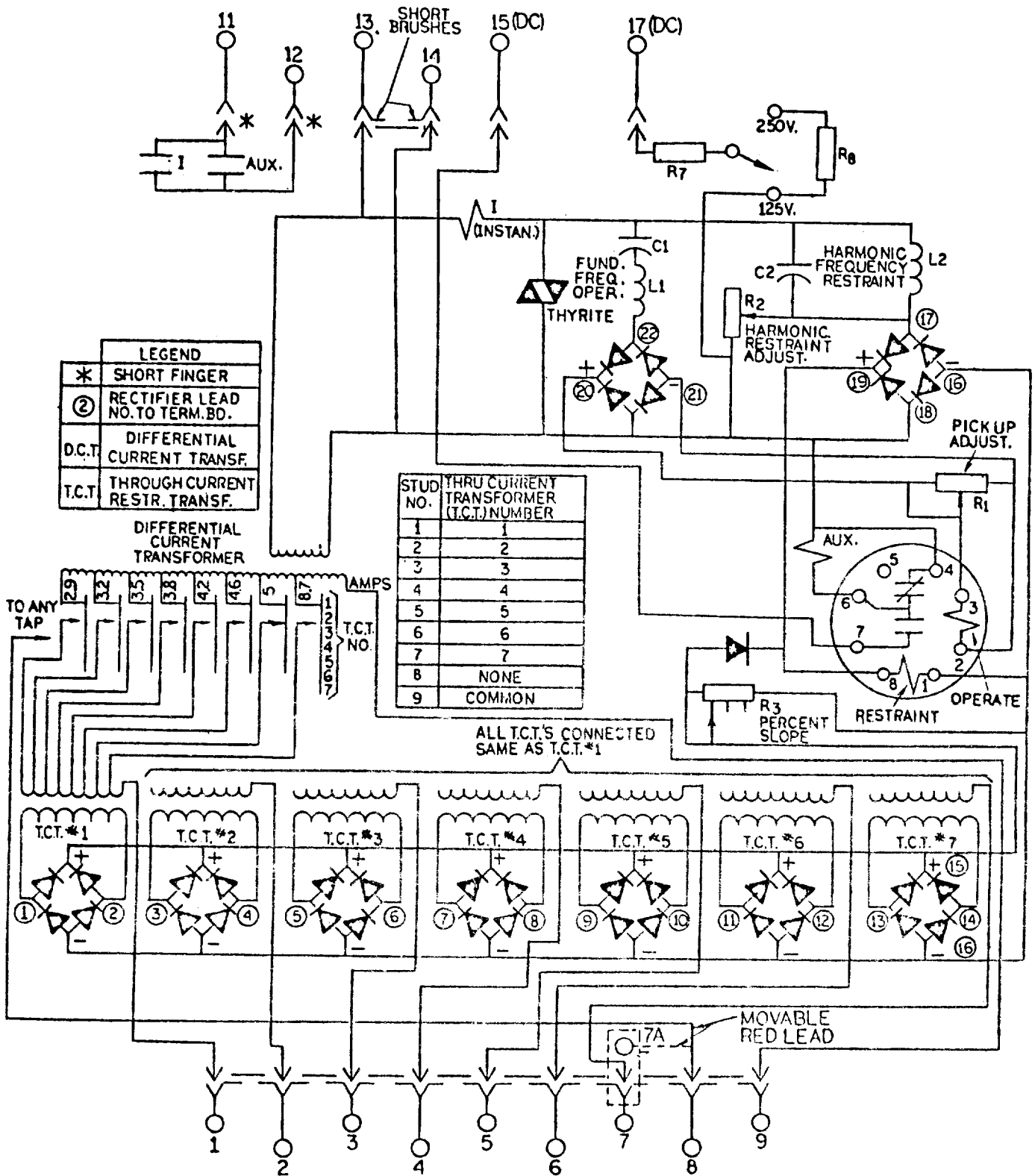


FIG. 1 (0227A7020-0) Internal Connections Diagram For The BDD20B(-)A Relay

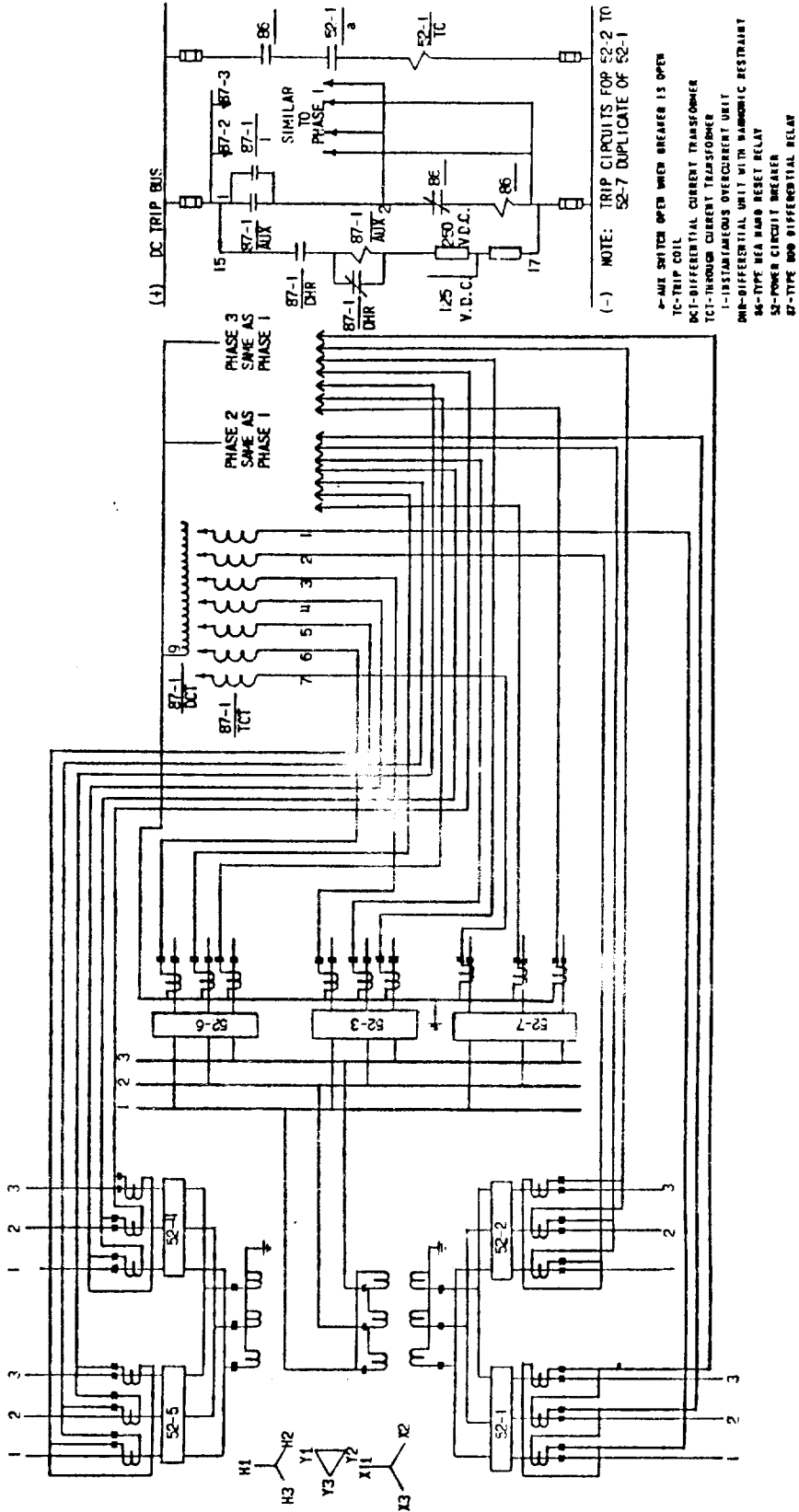


FIG. 2 (0128B1999-0) Typical External Wiring Diagram For The BDD20B(-)A

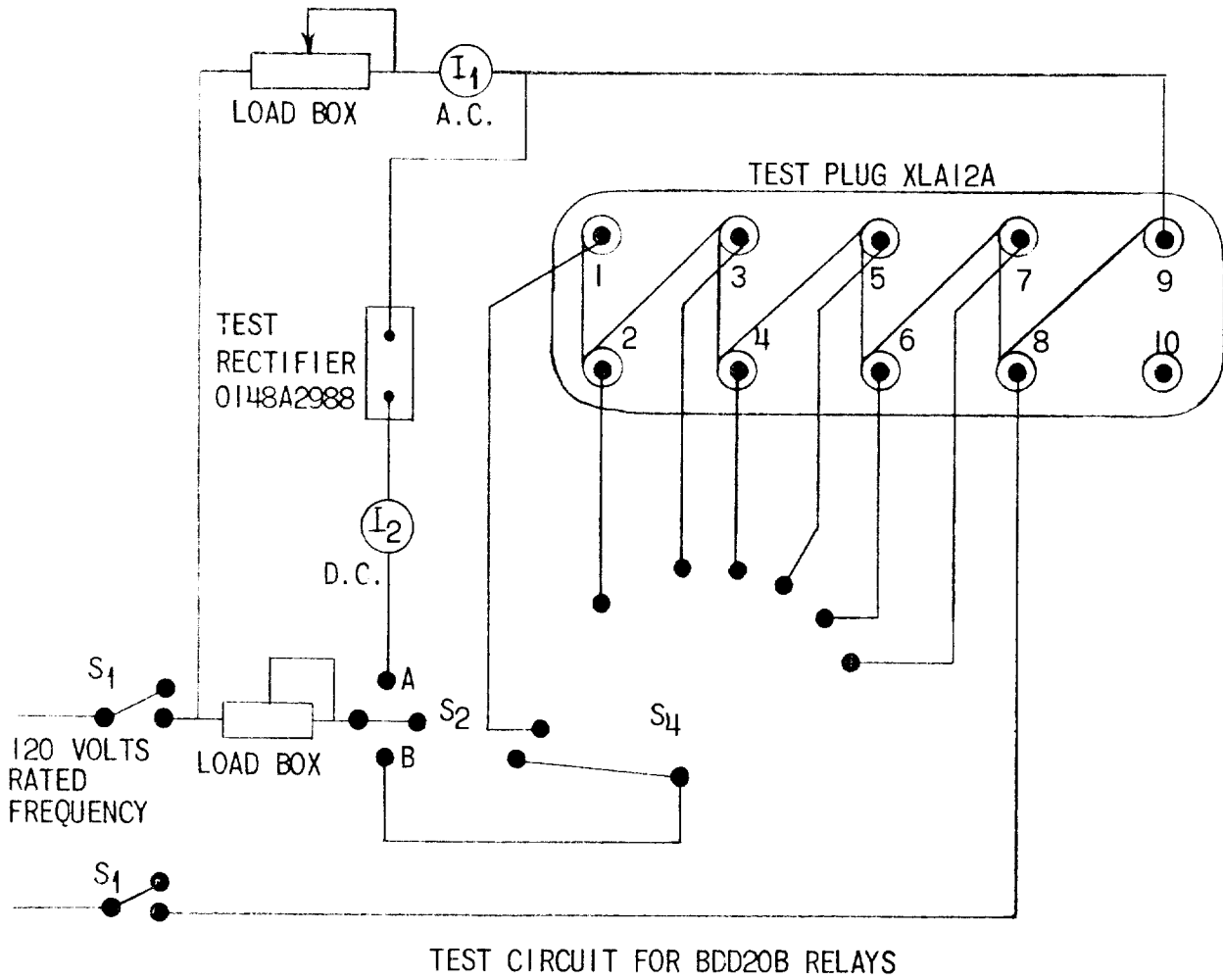
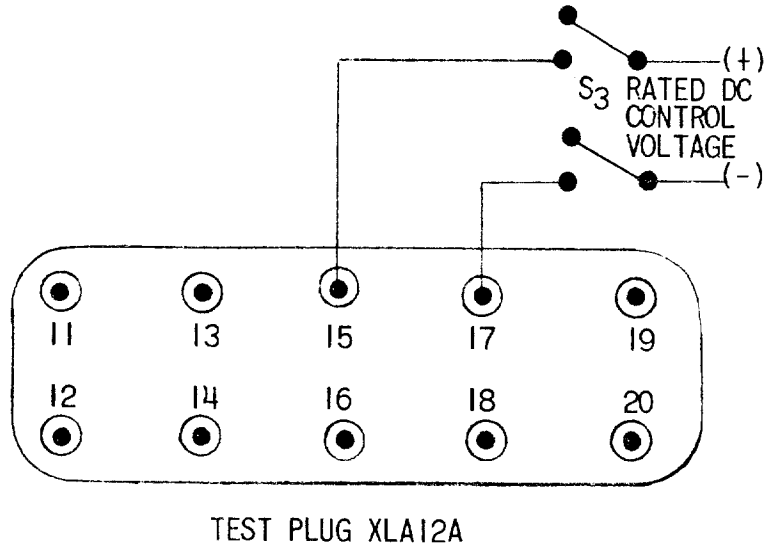


FIG. 3 (0418A0771 SH.11 [1]) Test Circuit For The BDD20B(-)A Relay

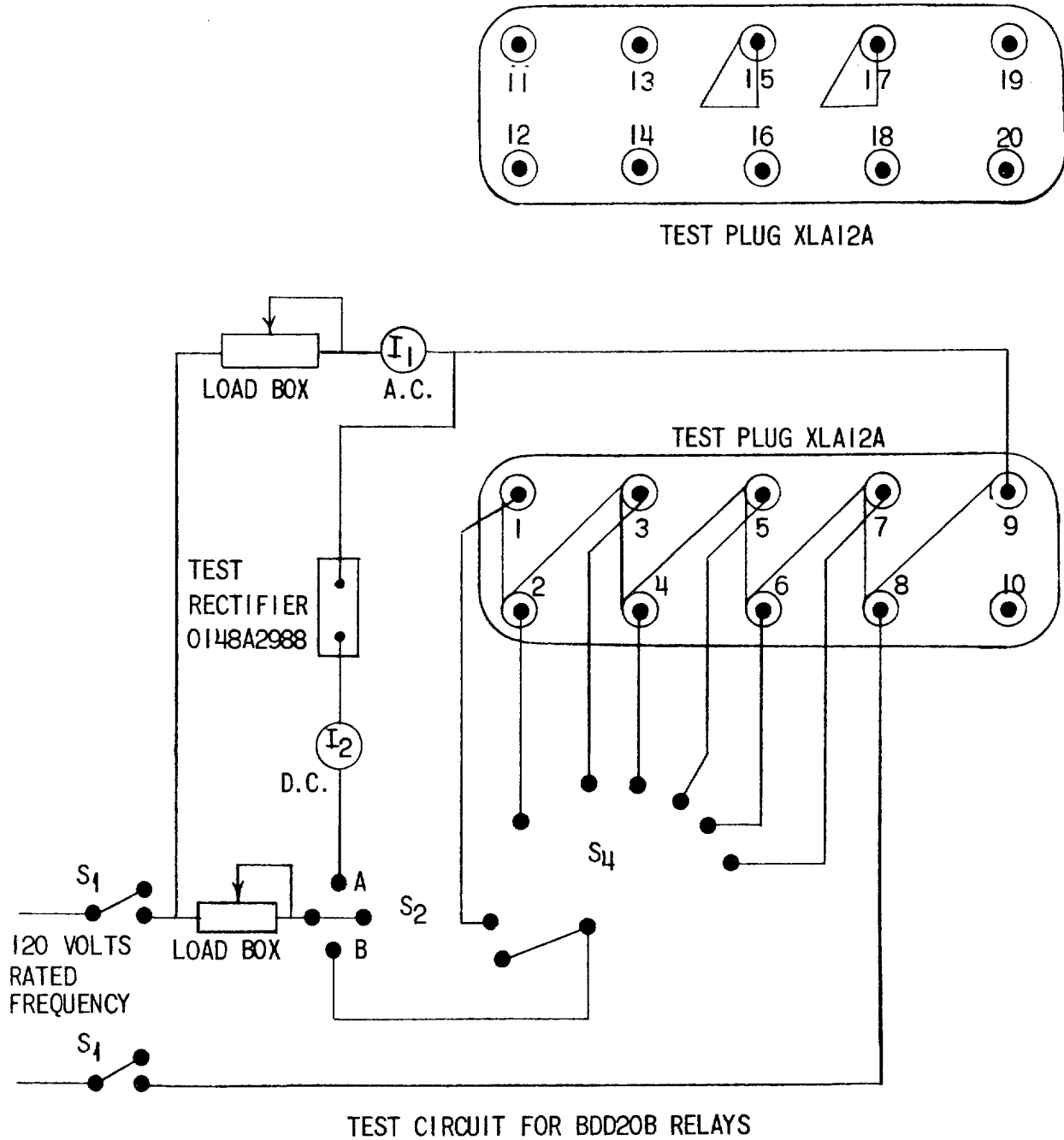


FIG. 4 (0418A0771 SH.12 [2]) Test Circuit For The BDD20B(-)A Relay Using The Station D.C. Trip Voltage

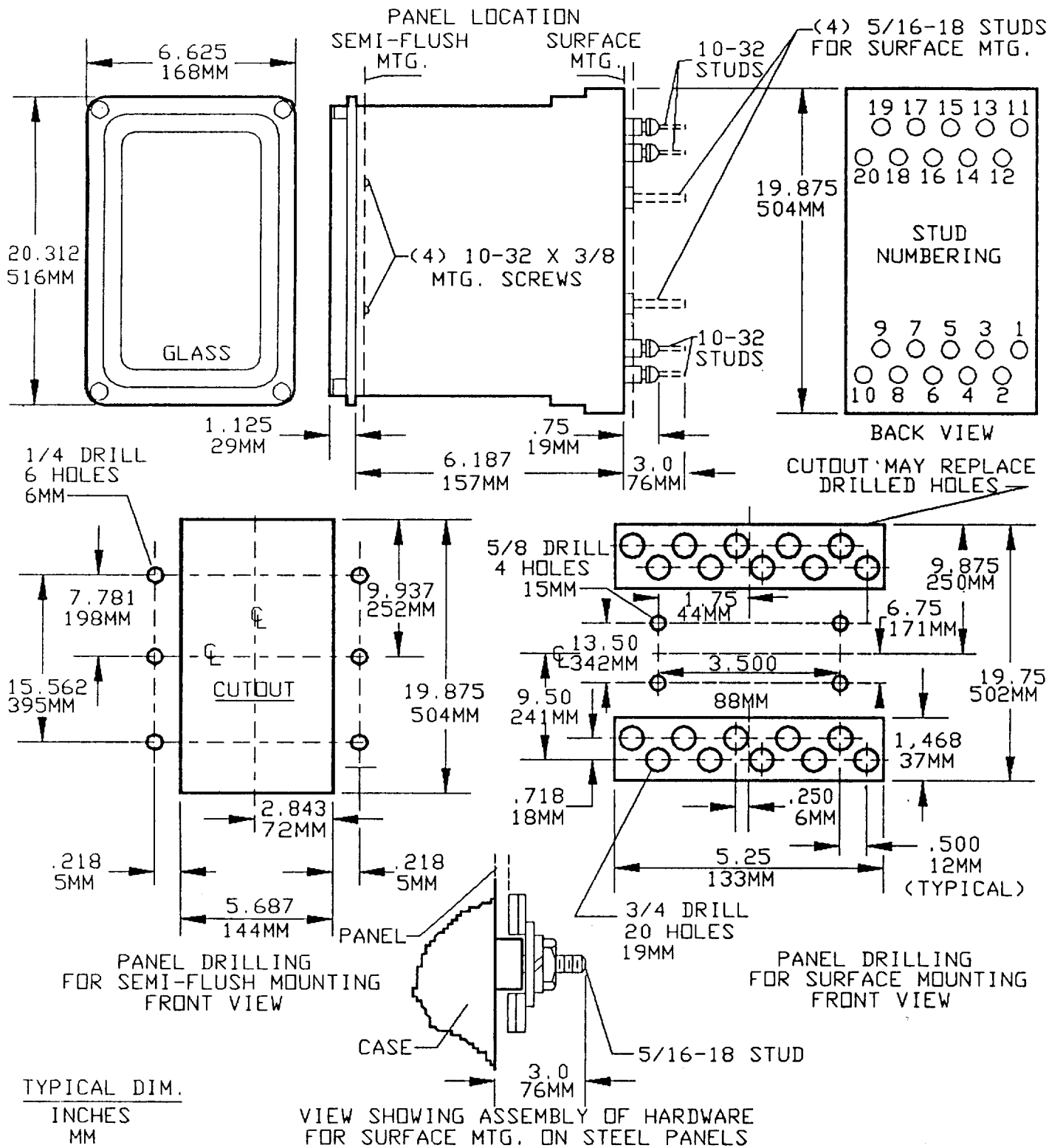


FIG. 5(K-6209276 [4])Outline And Panel Drilling For Drawout Relays - L2 Size