



INSTRUCTIONS

GEX- 26445

AUXILIARY TRIPPING RELAY

NSA11A

POWER SYSTEMS MANAGEMENT DEPARTMENT

GENERAL  ELECTRIC

PHILADELPHIA, PA.

AUXILIARY TRIPPING RELAY
NSA11AINTRODUCTION

The NSA11A is an auxiliary relay which has one normally open contact and is supplied in a small molded case. The NSA11A has been designed to be used in series with a breaker trip coil to provide a contact output one millisecond (or less) after the breaker trip coil has been energized. Figure I shows the internal connection diagram and the outline and panel drilling for the projection mounted case.

RATING

The relay contact has a 10 volt ampere DC rating. The contact has a 470 ohm resistor in series to limit the inrush current when the contacts are closed.

The resistance value of the operating coil of the NSA11A1 relay is 0.7 ohms. The relay will pick up at 1 ampere or less and will withstand amps continuously.

CHARACTERISTICS

This relay is designed to have a pick-up time of less than one millisecond when energized with 30 amperes. It will withstand this current for one second every 60 minutes.

CONSTRUCTION

The NSA11A is mounted in a small molded case. The relay consists of an encapsulated reed type unit fixed to a molded base with connections brought out to terminals in the back.

RECEIVING, HANDLING AND STORAGE

These relays, when not included as a part of a control panel, will be shipped in cartons designed to protect them against damage. Immediately upon receipt of a relay, examine it for any damage sustained in transit. If injury or damage resulting from rough handling is evident, file a damage claim at once with the transportation company and promptly notify the nearest General Electric Apparatus Sales Office.

Also check the nameplate stamping to insure that model number and rating of the relay received agree with the requisition.

Reasonable care should be exercised in unpacking the relay. If the relays are not to be installed immediately, they should be stored in their original cartons in a place that is free from moisture, dust and metallic chips.

SERVICING

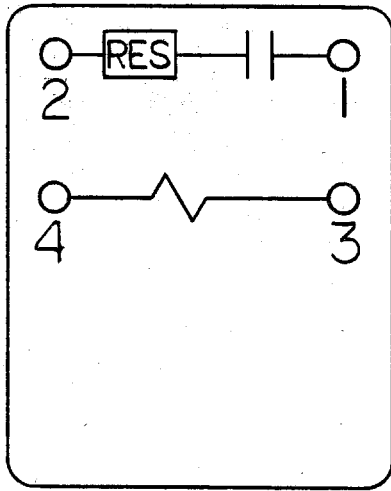
Since this relay has only two moving parts (the contact arms) and these are enclosed in a glass envelope, no servicing is possible.

RENEWAL PARTS

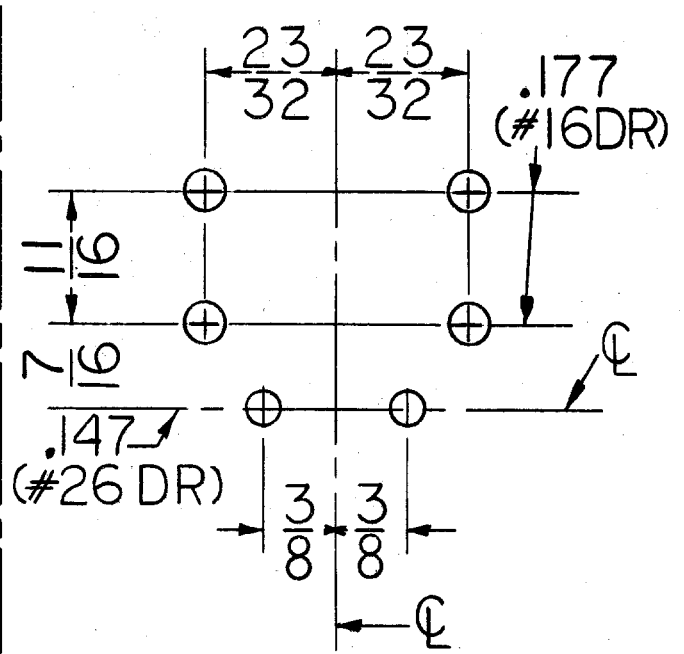
It is recommended that sufficient quantities of renewal parts be carried in stock to enable the prompt replacement of any that are worn, broken, or damaged.

When ordering renewal parts, address the nearest Sales Office of the General Electric Company, specify quantity required, name of the part wanted, and the complete model number of the relay for which the part is required.

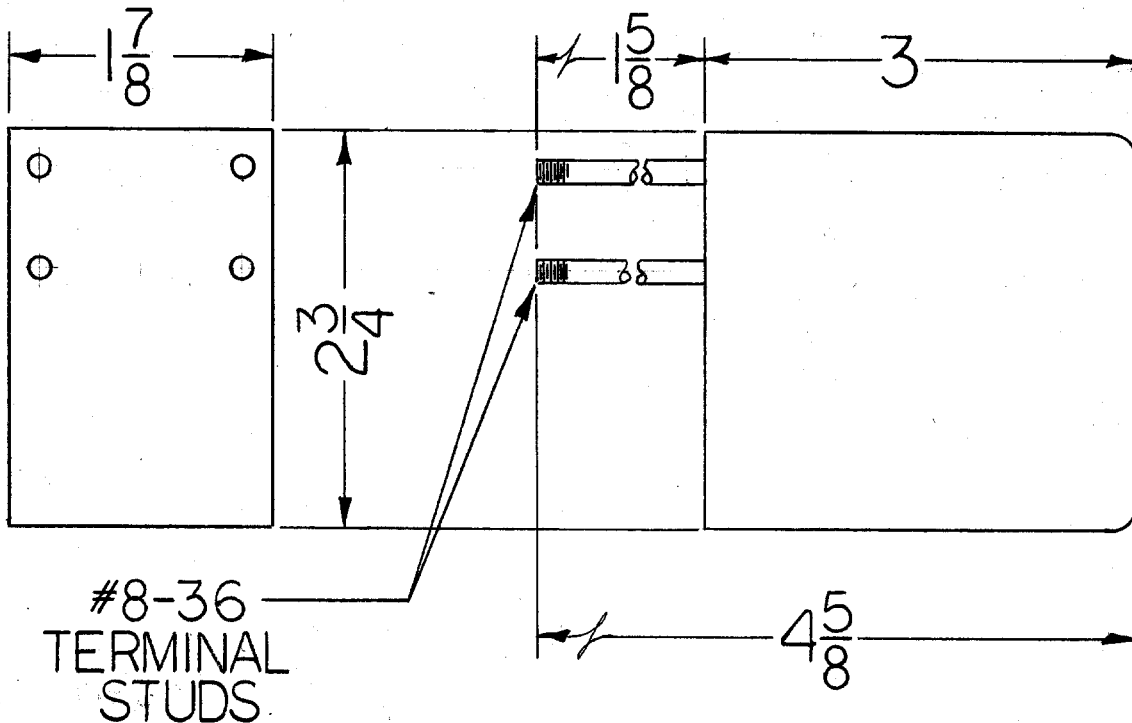
These instructions do not purport to cover all details or variations in equipment nor to provide for every possible contingency to be met in connection with installation, operation or maintenance. Should further information be desired or should particular problems arise which are not covered sufficiently for the purchaser's purposes, the matter should be referred to the General Electric Company.



INTERNAL
BOTTOM VIEW



PANEL DRILLING



OUTLINE

FIG. 1 (0226A6937) Internal Connections And Outline Drawing For NSA11A