



DIRECTIONAL DISTANCE RELAY

TYPE CEYG

MODEL 12CEYG51B(-)D

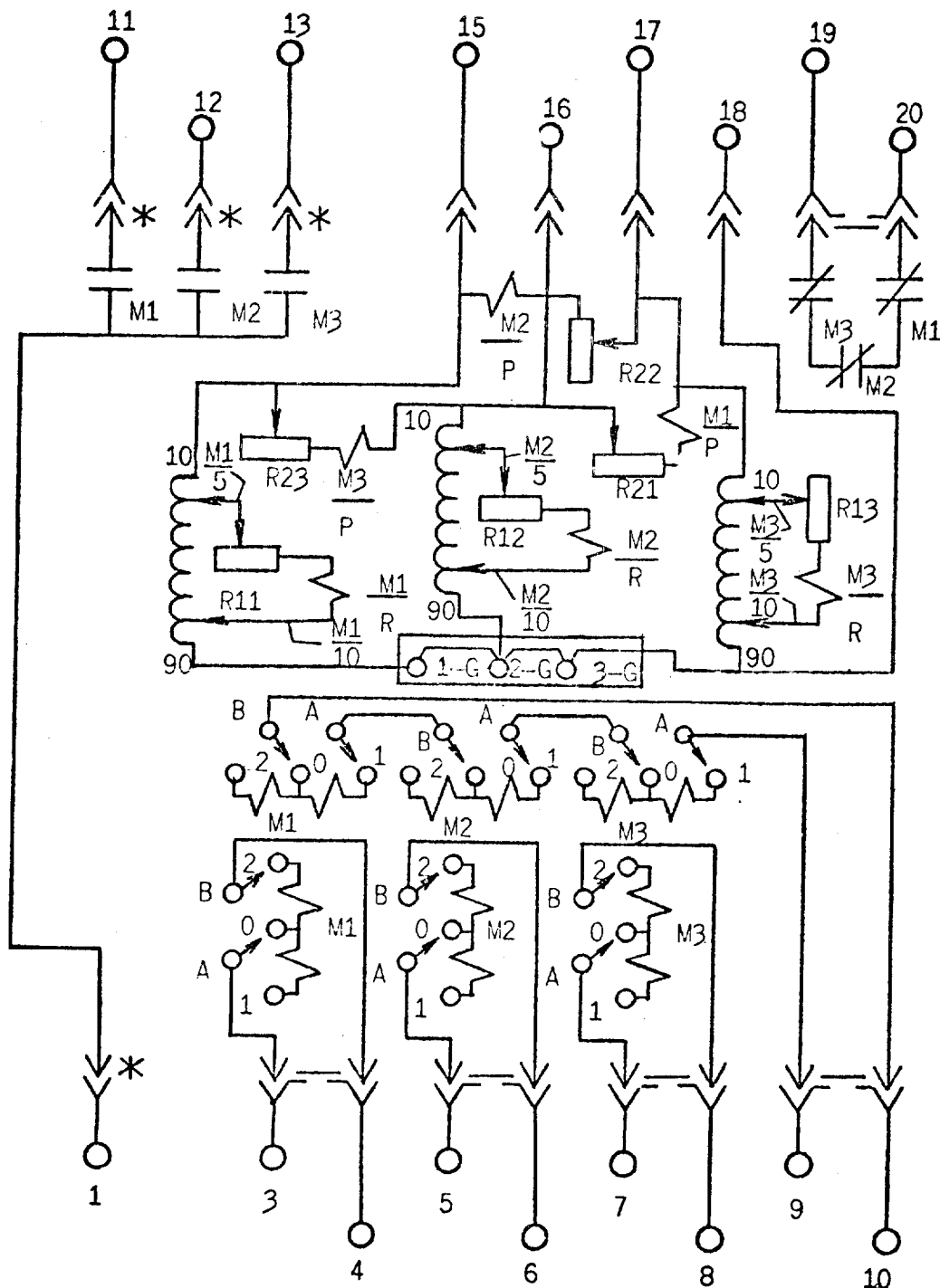
INTRODUCTION

This instruction book along with the 12CEYG51A(-)D relay Instruction Book, form the instructions for the 12CEYG51B(-)D relay.

DESCRIPTION

The 12CEYG51A(-)D relay except for the removal of the target/seal-in unit and its circuitry. Refer to figure 1 for the 12CEYG51B(-)D internal connection diagram. Since the relay contacts are no longer protected by a seal in unit, the contacts must never interrupt current or carry trip current for more than 16 milliseconds.

These instructions do not purport to cover all details or variations in equipment nor to provide for every possible contingency to be met in connection with installation, operation or maintenance. Should further information be desired or should particular problems arise which are not covered sufficiently for the purchaser's purposes, the matter should be referred to the General Electric Company.



M1=TOP UNIT
 M2=MIDDLE UNIT
 M3=BOTTOM UNIT

* = SHORT FINGER

FIG. 1 (0246A3351-0) Internal Connection Diagram For The CEYG51B(-)D Relay