

INSTRUCTIONS

GEK-45370
Insert Booklet GEK-41831

VOLTAGE BALANCE RELAY

MODEL 12CFVB99A(---)A

TYPE CFVB

INTRODUCTION

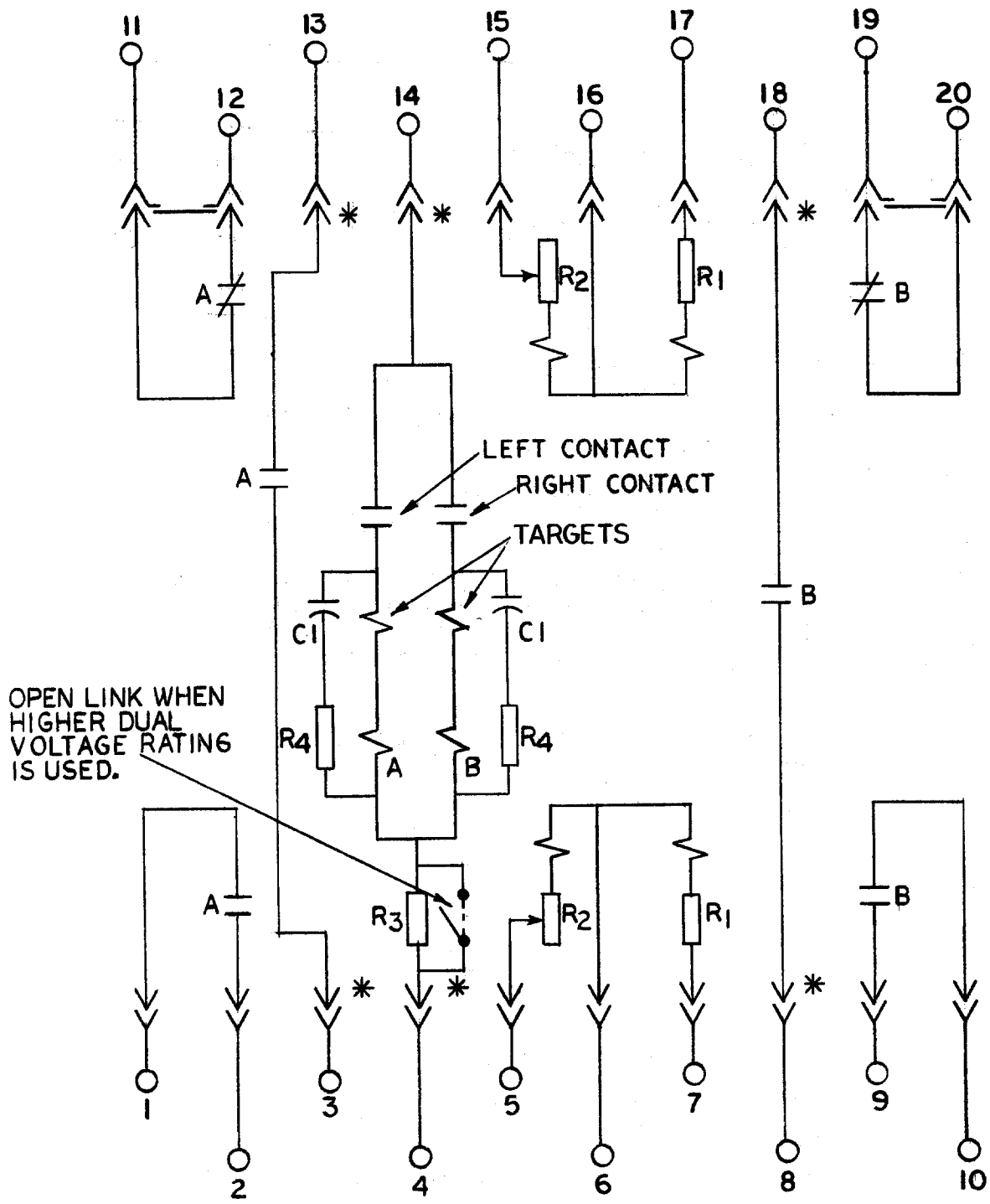
These instructions plus those included in GEK-41831 form the instructions for this relay.

DESCRIPTION

Special relay 12CFVB99A(---)A is similar to type CFVB11B except for the contact arrangement of the auxiliary relays and the omission of shorting bars between terminals 1 - 12 and 9 - 10. Each auxiliary relay of CFVB99A has 1 N.C. and 2 N.O. contacts as compared to 2 N.C. and 1 N.O. contact on the CFVB11B relay.

Figure 1 of this supplement shows the internal connections diagram.

These instructions do not purport to cover all details or variations in equipment nor to provide for every possible contingency to be met in connection with installation, operation or maintenance. Should further information be desired or should particular problems arise which are not covered sufficiently for the purchaser's purposes, the matter should be referred to the General Electric Company.



* = SHORT FINGERS

AUXILIARY "B" OPERATES WHEN VOLTAGE ON CIRCUITS 5-6-7 IS LESS THAN VOLTAGE ON CIRCUITS 15-16-17.

FIG. 1 (0257A8322-0) INTERNAL CONNECTIONS DIAGRAM FOR THE CFVB99A(---)A RELAY