



INSTRUCTIONS

GEK-86101A
Supersedes GEK-86101
Insert Booklet GEI-98337

FAULT DETECTOR RELAY

TYPE CHC

MODEL 12CHC99AF(-)A

INTRODUCTION

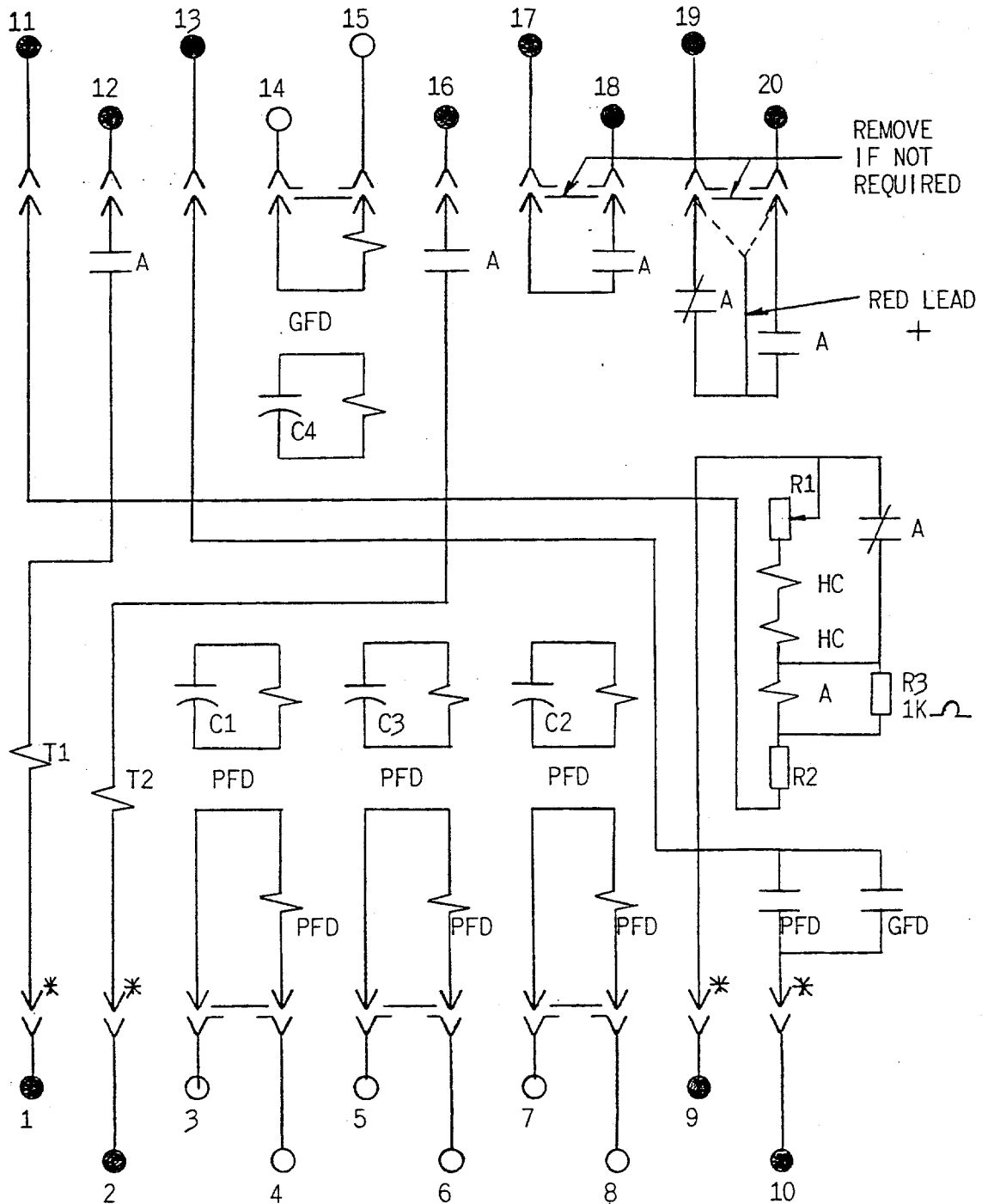
This instruction book, together with insert booklet GEI-98337, forms the instructions for the Type CHC99AF(-)A relays.

DESCRIPTION

The 12CHC99AF(-)A relays are similar to the 12CHC15A(-)A relay, with the internal connections of the 12CHC15B(-)A relays. The internal connections diagram, 0103A8678, is shown in Figure 1 of this instruction book.

These instructions do not purport to cover all details or variations in equipment nor to provide for every possible contingency to be met in connection with installation, operation or maintenance. Should further information be desired or should particular problems arise which are not covered sufficiently for the purchaser's purposes, the matter should be referred to the General Electric Company.

To the extent required the products described herein meet applicable ANSI, IEEE and NEMA standards; but no such assurance is given with respect to local codes and ordinances because they vary greatly.



A = TELEPHONE RELAY
 GFD = GROUND FAULT DETECTOR CUP UNIT
 PFD = PHASE FAULT DETECTOR CUP UNIT
 + = CONNECT TO OBTAIN EITHER NORMALLY OPEN OR NORMALLY CLOSED CONTACT
 * = SHORT FINGER
 HC = HOLDING COIL

VOLTS	R1 OHMS	R2 OHMS
250	2000	600
125	1000	300

Figure 1 (0203A8678) Internal Connections Diagram for Type CHC99AF(-)A Relay