



# INSTRUCTIONS

GEK-24950A

## INSTRUMENT CARD, 193X295ABG01

---

*These instructions do not purport to cover all details or variations in equipment nor to provide for every possible contingency to be met in connection with installation, operation or maintenance. Should further information be desired or should particular problems arise which are not covered sufficiently for the purchaser's purposes, the matter should be referred to General Electric Company.*

**GENERAL**  **ELECTRIC**

---

## **INSTRUCTION**

### **Instrument Card, 193X295ABG01**

#### **GENERAL**

This instruction provides the basic information required to checkout the Instrument card. Refer to the system diagrams for information on how this card is used in the overall system.

#### **DESCRIPTION**

This Instrument card measures the DC voltage applied to the 19 selectable inputs. The inputs are selected by the Selector Range Switch 1 to 10 (red) or 11 to 19 (yellow) and the Rotary Select Switch.

1. The meter has three switch selectable voltage ranges: 3 volts, 12 volts and 30 volts, full scale. The movement is zero center with positive inputs reading above the zero line and negative inputs reading below the zero line.
2. Two output posts are provided for monitoring the selected input signal with external test equipment.
3. A fuse is provided in the common post circuit to help protect the drive against a misconnection at the output posts.
4. External voltages up to  $\pm 30$  volts with respect to card common may be measured by switching the position selector switch to "E" and applying the signal to the output posts.

#### **START-UP/CHECKOUT**

Adjust the mechanical zero adjustment on the back of the meter so that the point is at zero when the card is in the rack.

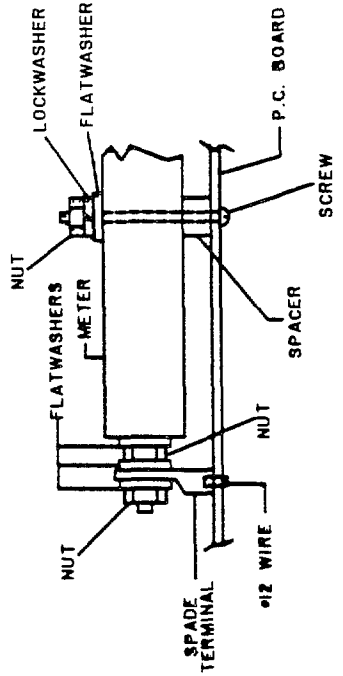
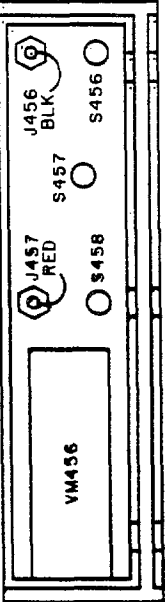
#### **TROUBLESHOOTING**

The meter movement may be checked by switching to position "E" and connecting a 20 volt reference to the red output post.

NOTES

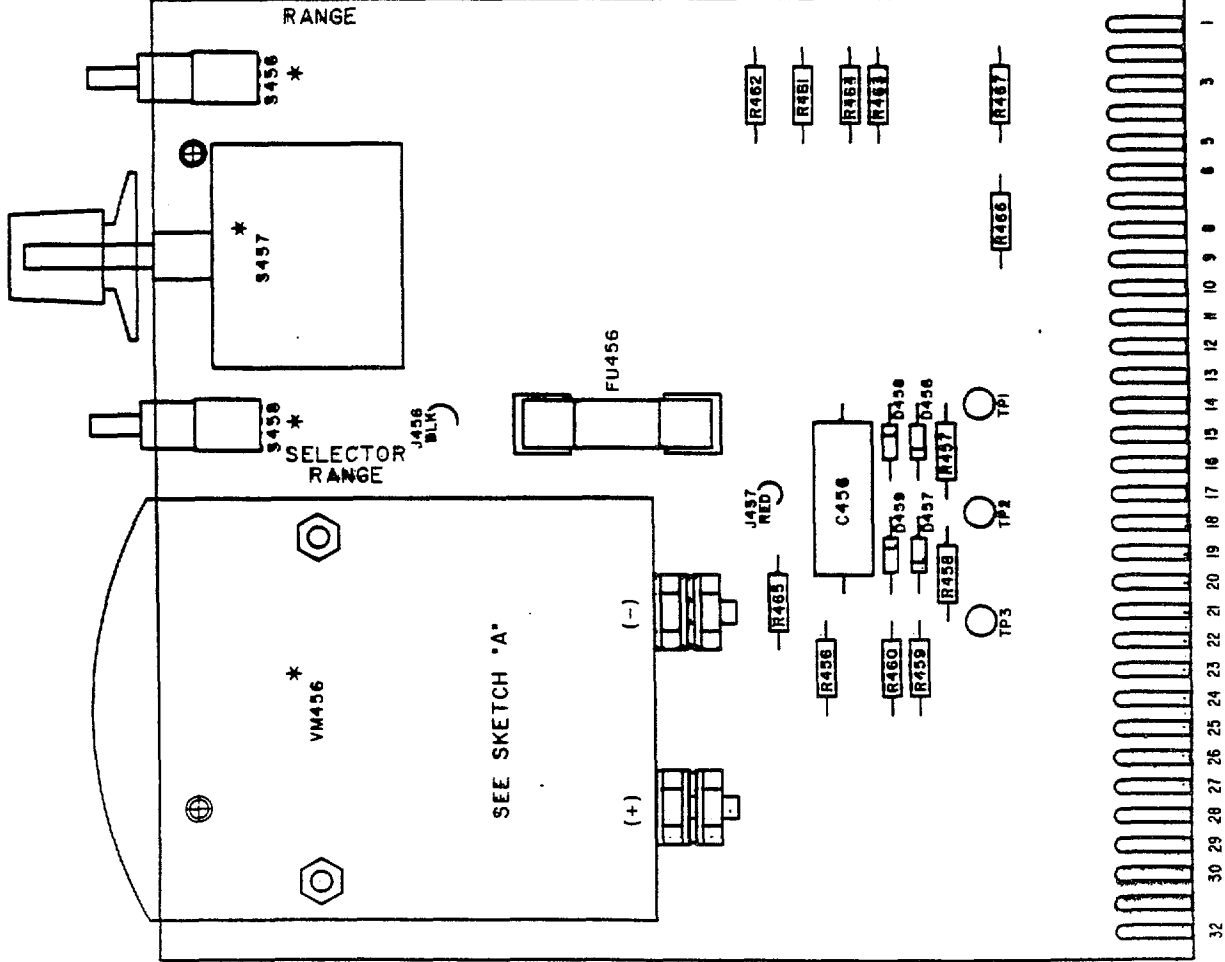
- 1. INDICATED TAB NUMBERS CORRESPOND TO MATCHING RECEPTACLE NUMBERS.
- 2. \* - NOT FREON CLEANABLE

SKETCH OF CARD COVER  
 BACK VIEW SHOWING LOCATION OF COMPONENTS AND WIRING INFORMATION



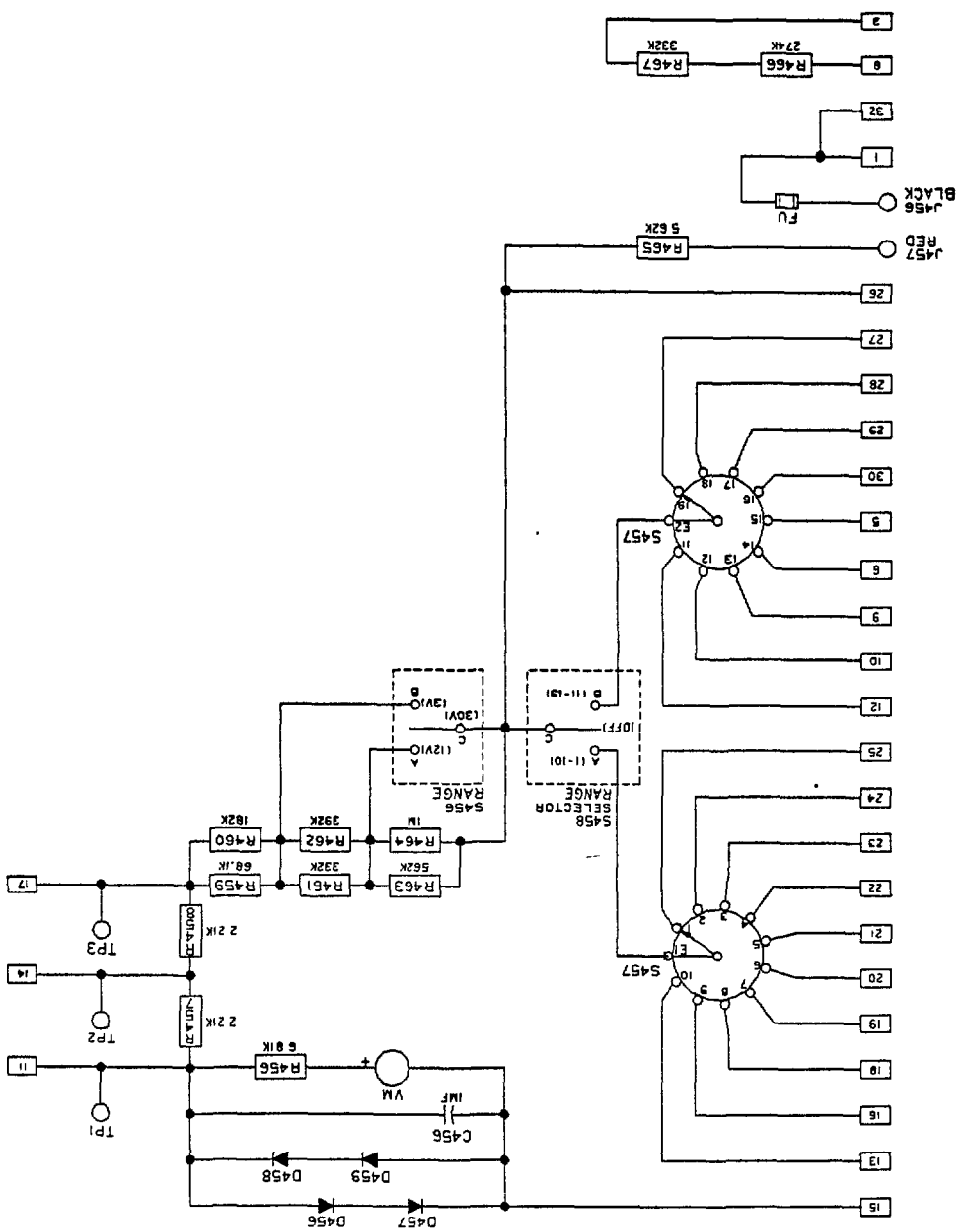
SKETCH "A"

DRILL AND TRIM	56A39853AA
SPACE UNIT REQUIREMENT	SCALE
COMPONENT SIDE	SOLDER SIDE
2	IX
REVISIONS	
PRINTS TO	
5810M	5181M
51P20M	51P20M
51W3M	51W3M
51S190	51S190
51J100	51J100



GENERAL ELECTRIC 36C764139AB  
 TITLE ELEMENTARY DIAGRAM  
 INSTRUMENT CARD  
 FIRST MADE FOR STD LINE  
 193X295ABG01

(C)



NOTES:  
 1. NUMBERS INSIDE RECTANGLES INDICATE TAB NUMBERS, WHICH CORRESPOND TO MATCHING RECEPTACLE NUMBERS.  
 2. ALL RESISTORS 1% UNLESS NOTED OTHERWISE.

REV NO 0

PRINTS TO	
5B10M	JALCDD
5R12B0M	5J18M1
5L12B0M	5T5150
5W18M1	5E1A55
5D1CDD	5P118M
5D1B1	CAD

NO REVISIONS ARE TO BE MADE TO THIS DRAWING WITHOUT THE APPROVAL OF THE DEVELOPMENT ENGINEERING SUB SECTION OF THE SPEED VARIATOR PRODUCTS OPERATION

SPEED VARIATOR PROD. ORG. 36C764139AB  
 ERIE, PA. DATE: 10/1/58

GENERAL ELECTRIC COMPANY  
SPEED VARIATOR PRODUCTS OPERATION  
ERIE, PENNSYLVANIA 16531

---

GENERAL  ELECTRIC