



INSTRUCTIONS

GEK-24947

20 VOLT DC RELAY CARD

193X278AAG03

These instructions do not purport to cover all details or variations in equipment nor to provide for every possible contingency to be met in connection with installation, operation or maintenance. Should further information be desired or should particular problems arise which are not covered sufficiently for the purchaser's purposes, the matter should be referred to General Electric Company.

GENERAL  ELECTRIC

20 VOLT DC RELAY

GENERAL

This instruction provides the basic information required to checkout the Relay Card. Refer to the system diagrams for information on how this card is used in the overall system.

DESCRIPTION

This card contains three relays. Each relay is 2PDT with a 20 volt DC coil which is polarity sensitive.

A front edge indicator which illuminates when current is flowing thru the coil is provided for each relay.

The relay contacts are rated 1 amp resistive, either 115V AC or 20V DC.

Pilot duty rating for 115V AC coils is 1.5 amps inrush, and .3 amps holding current.

The relay contacts are suitable for dry circuit switching as long as dry circuits and power circuits are not both switched in the same relay.

NOTE

A relay which has once been used to switch power circuits may not reliably switch dry circuits. When several cards have been furnished, insure that each card is returned to its own receptacle.

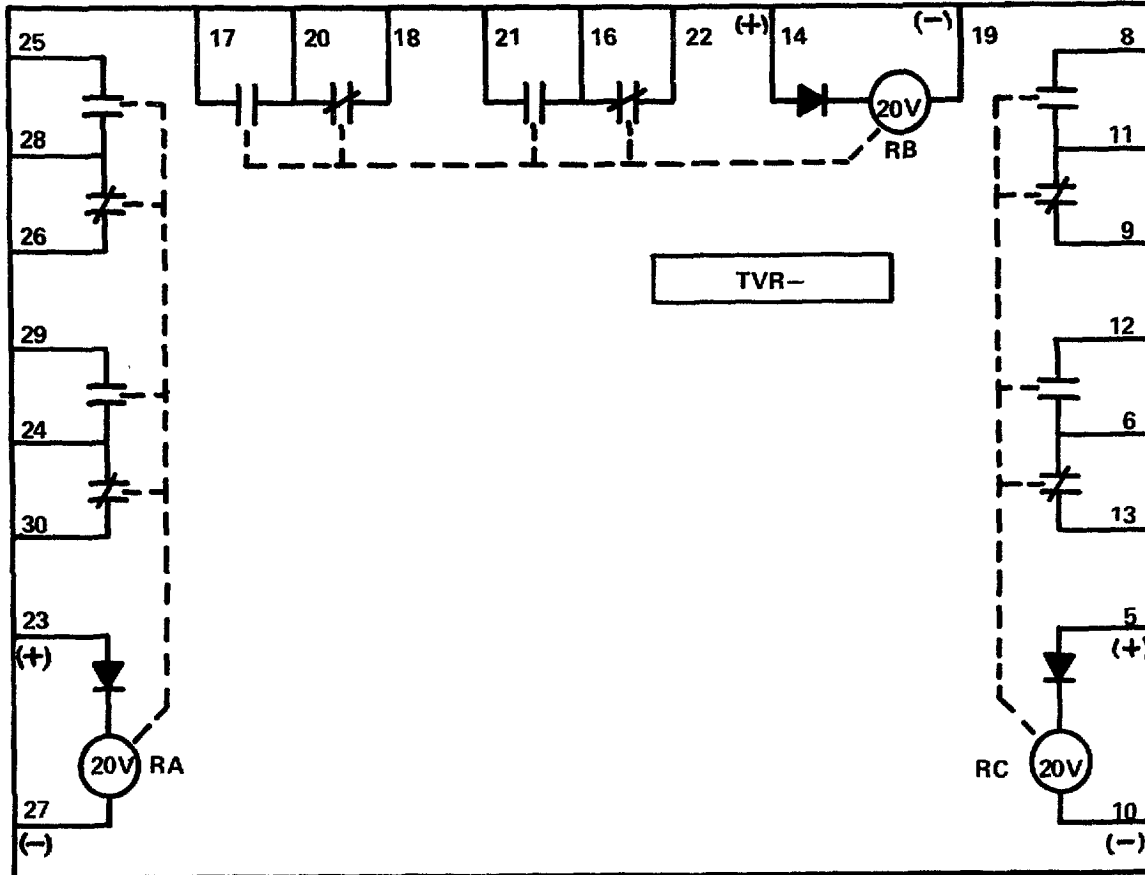
START-UP/CHECKOUT

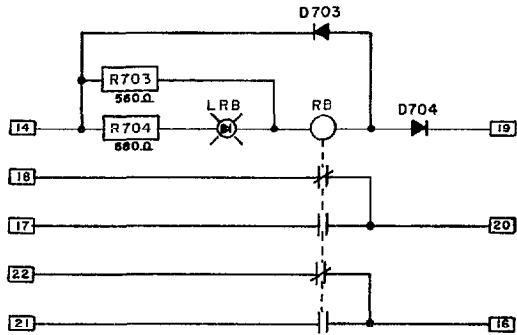
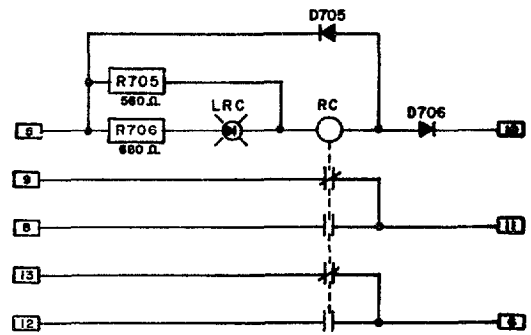
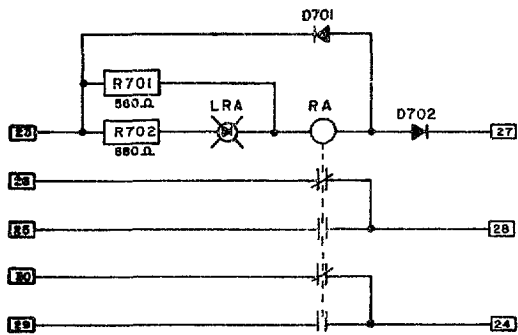
Verify that the relays pick up and drop out at the appropriate time.

TROUBLESHOOTING

Verify the contacts are opening and closing properly when power is applied to the coil.

Verify that +20 is applied to the proper side of the coil.

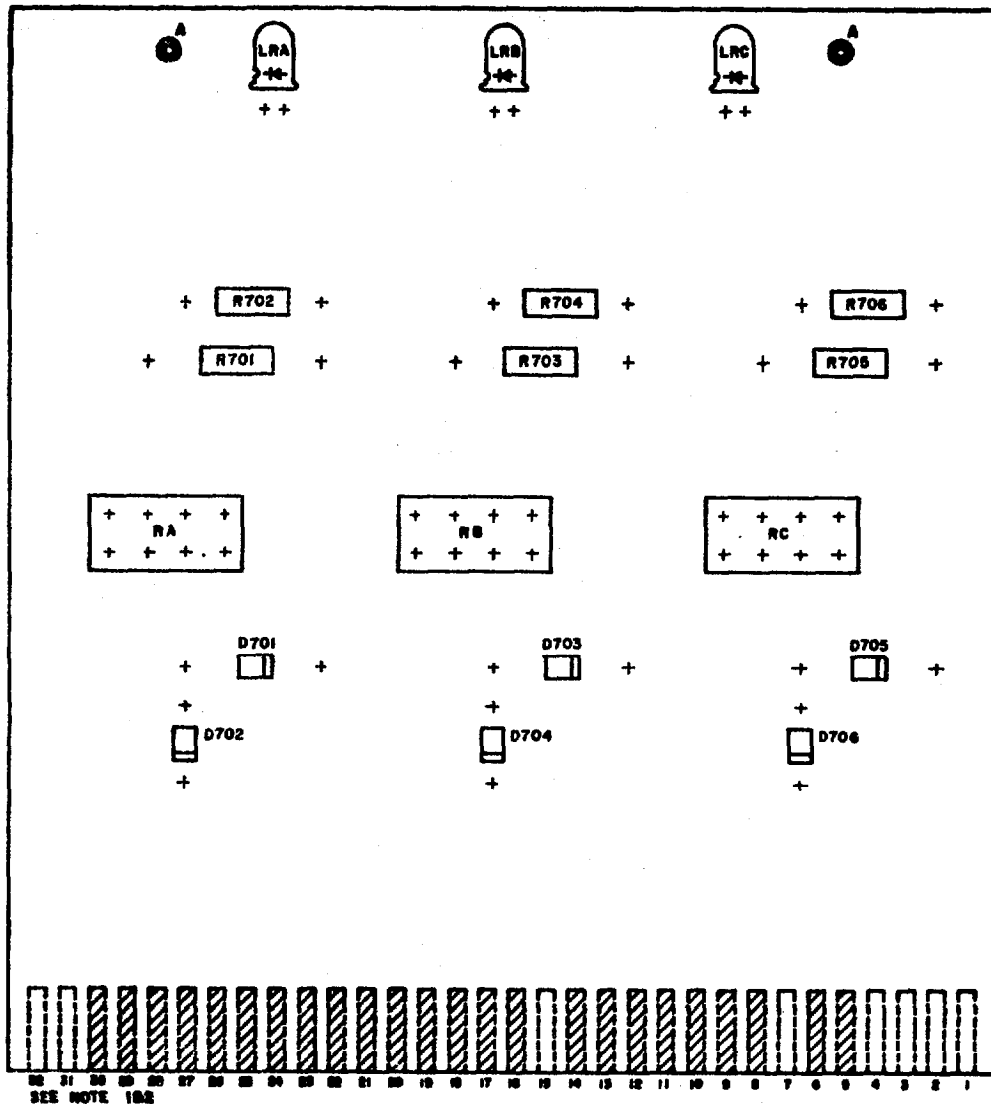




NOTES

TABLE I

CARD CATALOG NO.	QTY. OF RELAYS	RELAY NOMENCLATURE	TAB CONNECTION
193X278AA603	3	RA, RB, RC,	SEE SCHEMATIC ABOVE FOR TABS ASSOCIATED WITH RELAY NOMENCLATURE



SEE NOTE 1B2

GROUP	KEY LOCATIONS
003	2-3 12-13 14-15

HOLE TABULATION

ALL HOLES .040 DIA. EXCEPT THE HOLES TABULATED BELOW

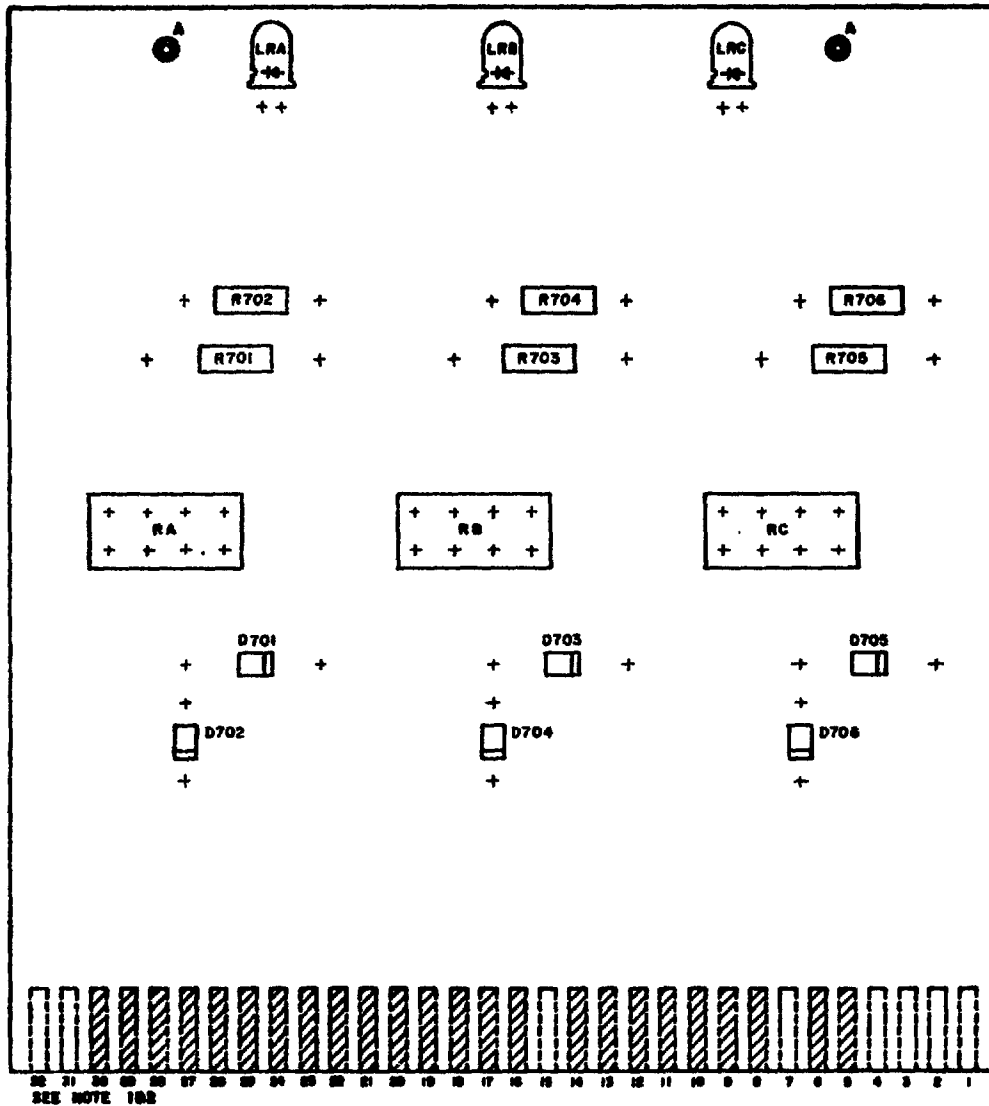
LOC	DIA	QUAN
A	.157	2

NOTES

1. INDICATED TAB NUMBERS CORRESPOND TO MATCHING RECEPTACLE NUMBERS.
2. CROSS HATCHED TABS INDICATE TABS USED.
3. CARD SIZE, $5.500^{+.000}_{-.015} \times 5.130^{+.002}_{-.008}$

**GENERAL ELECTRIC COMPANY – DC MOTOR & GENERATOR DEPARTMENT
SPEED VARIATOR PRODUCTS OPERATION
ERIE, PENNSYLVANIA 16531**

GENERAL  ELECTRIC



SEE NOTE 10A

GROUP	KEY LOCATIONS
603	2-3 12-13 14-15

HOLE TABULATION

ALL HOLES .040 DIA. EXCEPT THE HOLES TABULATED BELOW

LOC	DIA	QUAN
A	.157	2

NOTES

1. INDICATED TAB NUMBERS CORRESPOND TO MATCHING RECEPTACLE NUMBERS.
2. CROSS HATCHED TABS INDICATE TABS USED.
3. CARD SIZE,
 $5.500^{+.000}_{-.015} \times 5.130^{+.002}_{-.008}$

**GENERAL ELECTRIC COMPANY – DC MOTOR & GENERATOR DEPARTMENT
SPEED VARIATOR PRODUCTS OPERATION
ERIE, PENNSYLVANIA 16531**

GENERAL  ELECTRIC

GEK-24947 (9/78) 5M(F)