
**SHELF ASSEMBLY
Master Checkback**

Assembly Drawing No:

19C335803G1 48 VDC
19C335803G3 110/125 VDC
19C335803G4 220/250 VDC

Consists of:

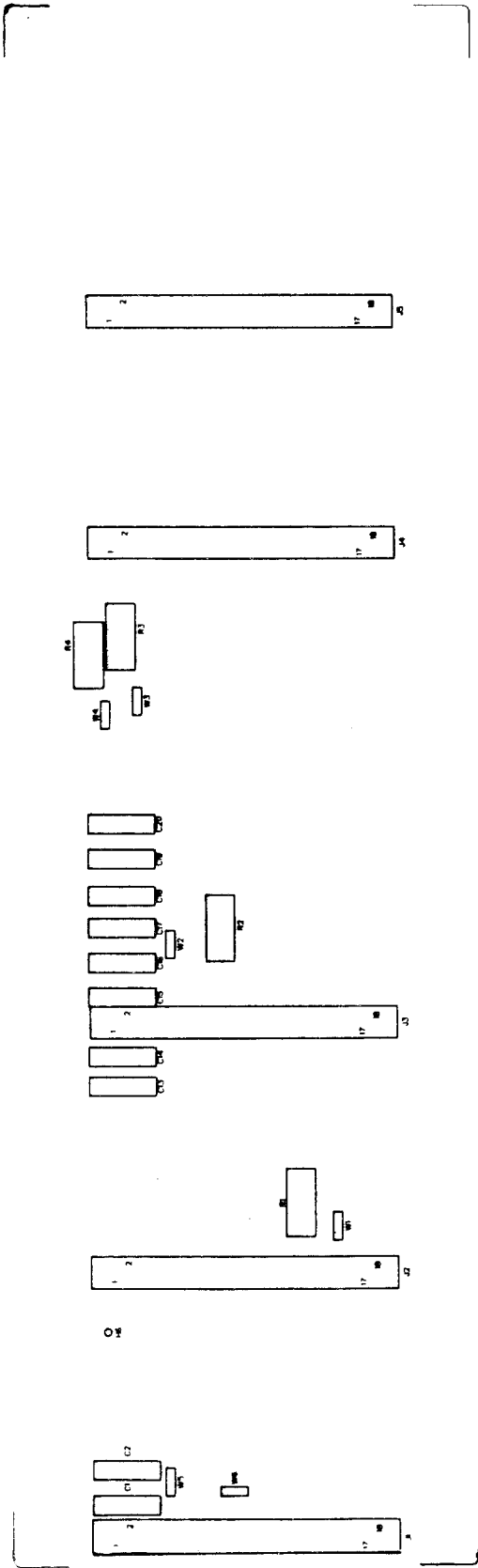
Backplane Asm.-19D436577G1 48 VDC
 -G3 110/125 VDC
 -G4 220/250 VDC
Case Asm.-19C335651G3
Door Asm.-19B230622G2

The Master Checkback Shelf consists of a keyed, slotted chassis that holds three plug-in card-type modules, each equipped with 18 contacts that mate with contacts mounted on the backplane on the rear of the chassis.

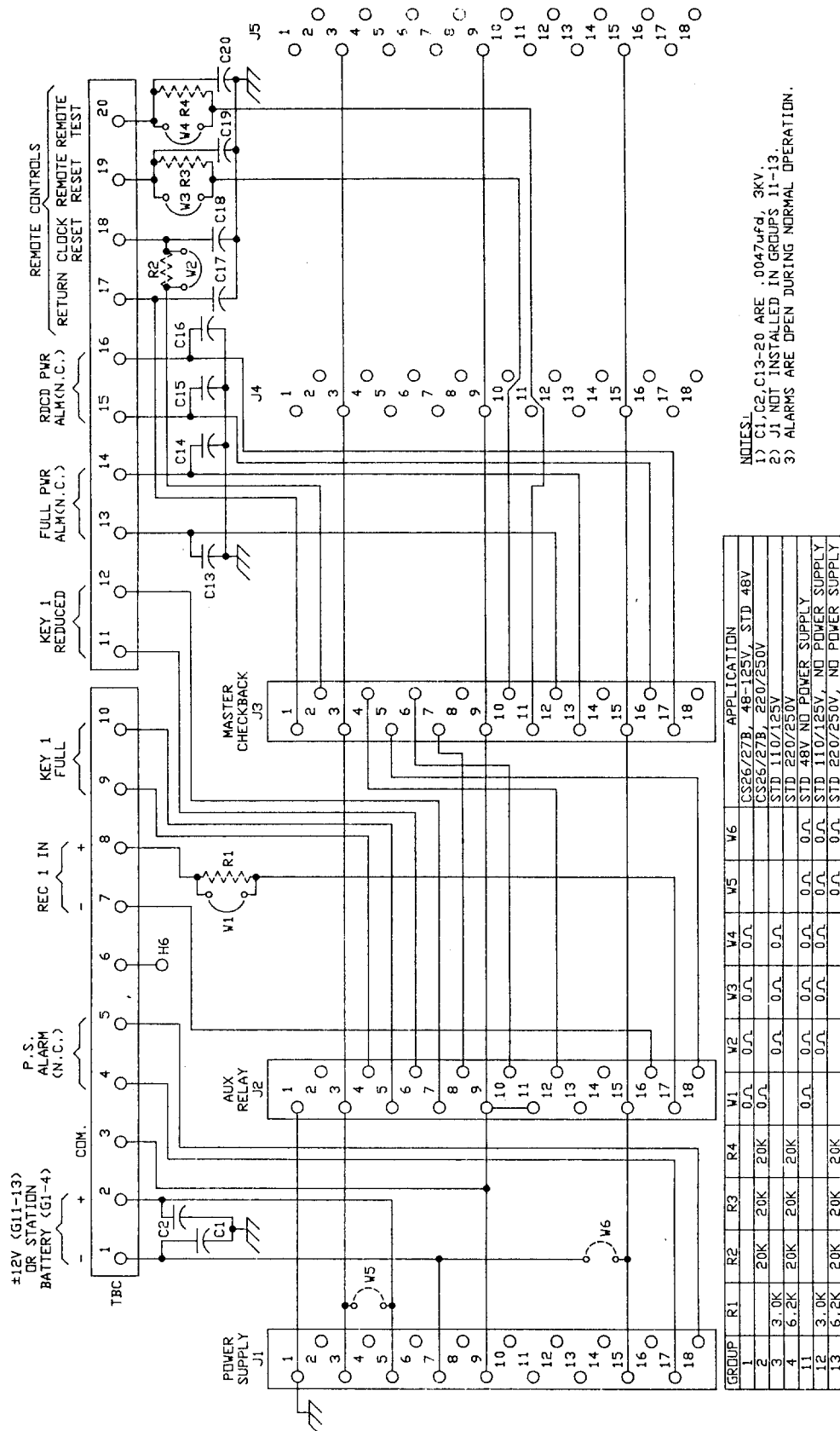
All groups of the backplane contain two 10-point barrier-type terminal boards, similar to GE EB-25 boards, which will accommodate wire sizes AWG 22 through AWG 10, and the SWC capacitors (C1, C2 and C13-C20).

The 48 VDC version (-G1) contains components W1-W4, which are zero-ohm resistors. In the 110/125 VDC version (-G3), W1 is replaced by resistor R1. In the 220/250 VDC version (-G4), W1-W4 are replaced by R1-R4.

<u>ITEM</u>	<u>IDENTIFICATION NUMBER</u>	<u>DESCRIPTION</u>	<u>COMMENTS</u>
C1,C2 C13-C20	0246A9028P472	CAP., 4700PF, 3KV	
W1-W4	0246A9141P001	RESISTOR, 0 OHM	
R1	0246A9125P302	RESISTOR, 3.0K OHM, 2W	(IN -G3 ONLY)
R1	0246A9125P622	RESISTOR, 6.2K OHM, 2W	(IN -G4 ONLY)
R2-R4	0246A9125P203	RESISTOR, 20K OHM, 2W	(IN -G4 ONLY)



BACKPLANE OUTLINE-19D436576



NOTES:
 1) C1, C2, C13-20 ARE .0047µF±9, 3KV.
 2) J1 NOT INSTALLED IN GROUPS 11-13.
 3) ALARMS ARE OPEN DURING NORMAL OPERATION.

GROUP	R1	R2	R3	R4	R5	V4	V5	V6	APPLICATION
1									CS26/27B, 48-125V, STD 48V
2		20K	20K	20K					CS26/27B, 220/250V
3	3.0K								STD 110/125V
4	6.2K								STD 220/250V
11									STD 48V, NO POWER SUPPLY
12	3.0K								STD 110/125V, NO POWER SUPPLY
13	6.2K								STD 220/250V, NO POWER SUPPLY

MASTER CHECKBACK
 19D436577

SCHEMATIC DIAGRAM-19B230657 Sh. 1