
SHELF ASSEMBLY Remote Checkback

Assembly Drawing No:

19C335803G5 48 VDC
19C335803G6 110/125 VDC
19C335803G7 220/250 VDC

Consists of:

Backplane Asm.-19D436577G5 48 VDC
 -G6 110/125 VDC
 -G7 220/250 VDC
Case Asm.-19C335651G3
Door Asm.-19B230622G2

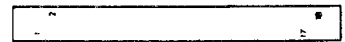
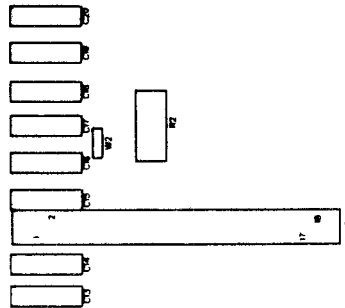
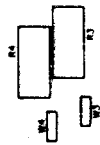
The Remote Checkback Shelf consists of a keyed, slotted chassis that holds three plug-in card-type modules, each equipped with 18 contacts that mate with contacts mounted on the backplane on the rear of the chassis.

All groups of the backplane contain two 10-point barrier-type terminal boards, similar to GE EB-25 boards, which will accommodate wire sizes AWG 22 through AWG 10, and the SWC capacitors (C1, C2).

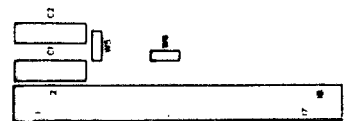
The 48 VDC version (-G5) contains component W1, which is a zero-ohm resistor. In the 110/125 VDC version (-G6) and the 220/250 VDC version (-G7), W1 is replaced by resistor R1.

<u>ITEM</u>	<u>IDENTIFICATION NUMBER</u>	<u>DESCRIPTION</u>	<u>COMMENTS</u>
C1,C2	0246A9028P472	CAP., 4700PF, 3KV	
W1	0246A9141P001	RESISTOR, 0 OHM	
R1	0246A9125P302	RESISTOR, 3.0K OHM, 2W	(IN -G6 ONLY)
R1	0246A9125P622	RESISTOR, 6.2K OHM, 2W	(IN -G7 ONLY)

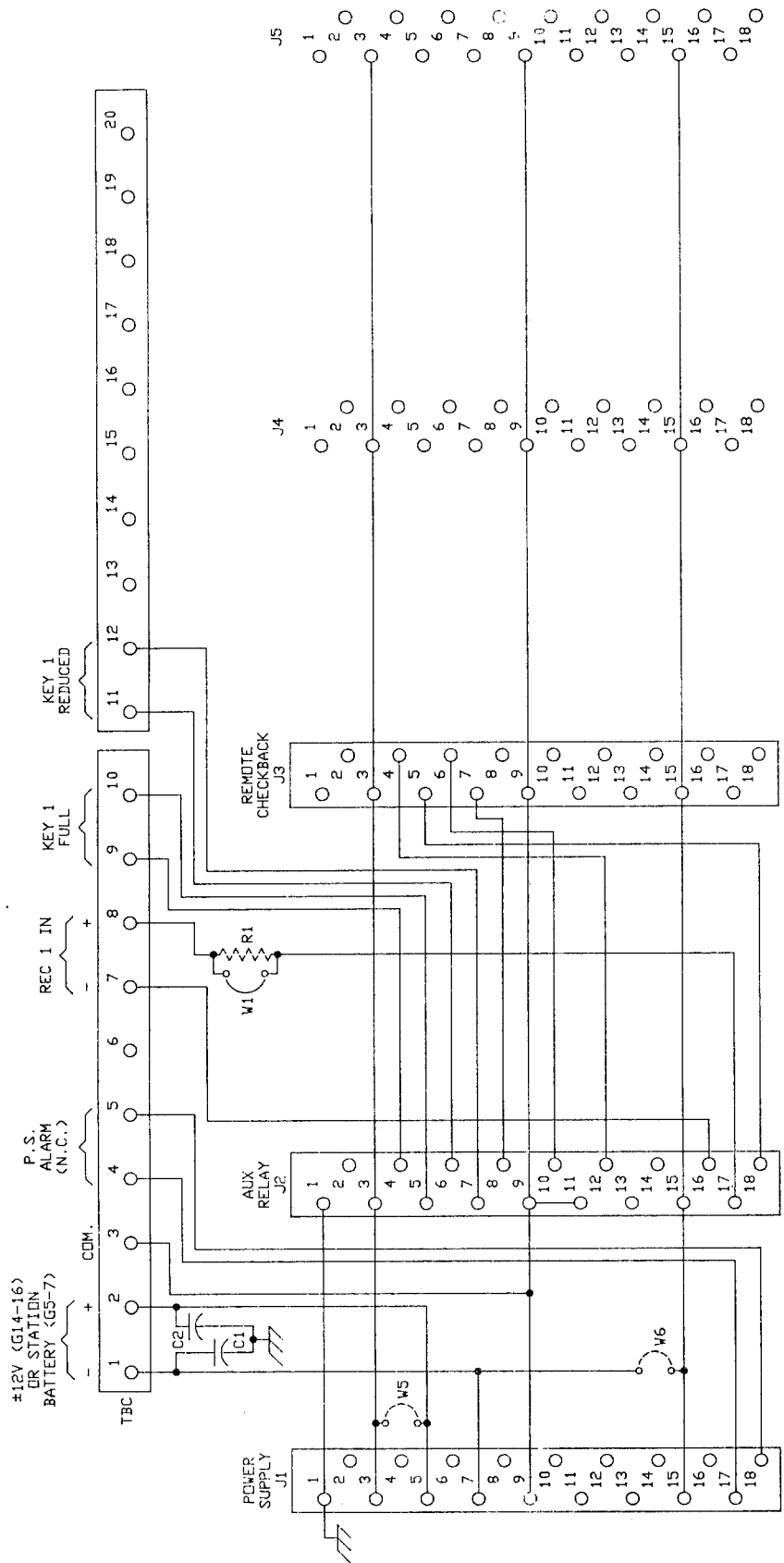
PARTS LIST-19D436577G5, -G6, -G7



OR



BACKPLANE OUTLINE-19D436576



NOTES:
 1) C1, C2 ARE .0047µfd, 3KV.
 2) J1 NOT INSTALLED IN GROUPS 14-16.
 3) POWER SUPPLY ALARM IS OPEN DURING NORMAL OPERATION

GROUP	R1	W1	W5	W6	APPLICATION
5		0.Ω			CSE6/27B, 48-250V, STD 48V
6	3.0K				STD 125V
7	6.2K				STD 250V
14		0.Ω			STD 48V, NO POWER SUPPLY
15	3.0K	0.Ω			STD 110/125V, NO POWER SUPPLY
16	6.2K	0.Ω			STD 220/250V, NO POWER SUPPLY

REMOTE CHECKBACK
 19D436577

SCHEMATIC DIAGRAM-19B230657 Sh. 2