



INSTRUCTIONS

GEK-41945
Insert Booklet GEK-1277

ELECTRIC RESET AUXILIARY RELAY

TYPE HEA

MODEL 0178A7339

INTRODUCTION

These instructions plus those included in GEK-1277 form the instructions for this relay.

DESCRIPTION

Relay 0178A7339 is similar to 12HEA63C except with diode and resistor connected across the coil.

Refer to Figure 1 of this supplement for the outline and panel drilling, and Figure 2 for the internal connections.

These instructions do not purport to cover all details or variations in equipment nor to provide for every possible contingency to be met in connection with installation, operation or maintenance. Should further information be desired or should particular problems arise which are not covered sufficiently for the purchaser's purposes, the matter should be referred to the General Electric Company.

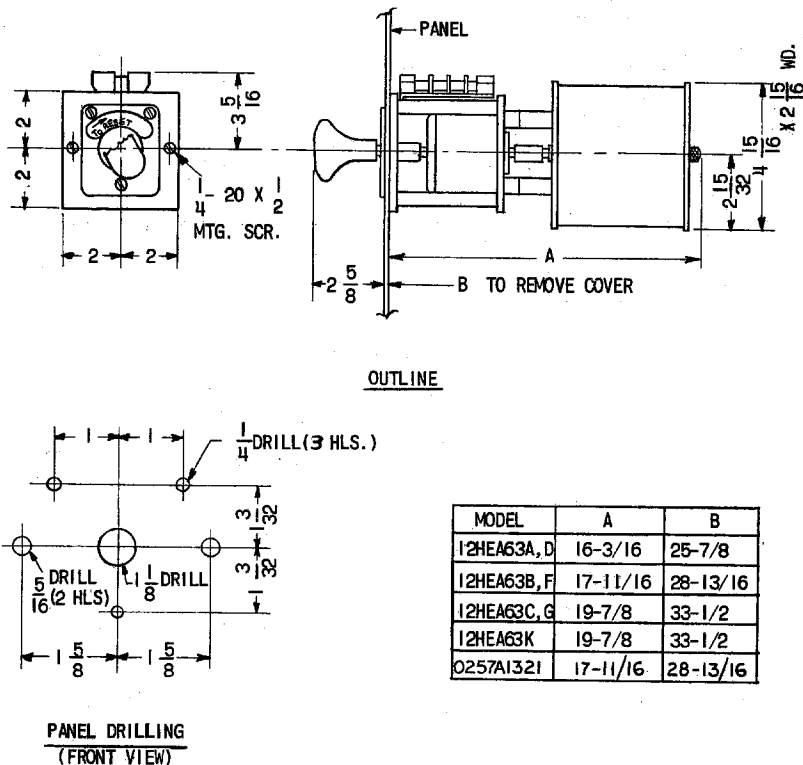


FIG. 1 (0165A9276-4) Outline And Panel Drilling For Relay 0178A7339

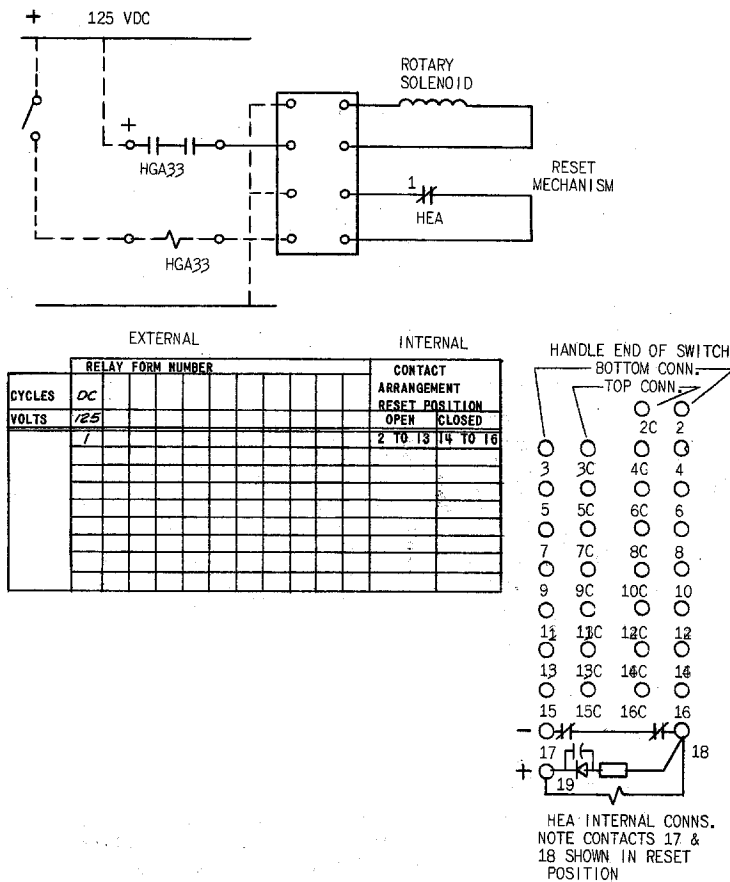


FIG. 2 (0178A7339-1 SH. 2) Internal Connection And Contact Arrangement