



INSTRUCTIONS

GEK-41947
Insert Booklet GEK-1277

ELECTRIC RESET AUXILIARY RELAY

TYPE HEA

MODEL 0178A7266

INTRODUCTION

These instructions plus those included in GEK-1277 form the instructions for this relay.

DESCRIPTION

Relay 0178A8266 is similar to 12HEA63C except with an extended fixed contact and support with terminals for the solenoid, and terminal board omitted.

Refer to Figure 1 of this supplement for the outline and panel drilling, and Figure 2 for the internal connections and contact arrangement.

These instructions do not purport to cover all details or variations in equipment nor to provide for every possible contingency to be met in connection with installation, operation or maintenance. Should further information be desired or should particular problems arise which are not covered sufficiently for the purchaser's purposes, the matter should be referred to the General Electric Company.

POWER SYSTEMS MANAGEMENT DEPARTMENT

GENERAL  ELECTRIC

PHILADELPHIA, PA.

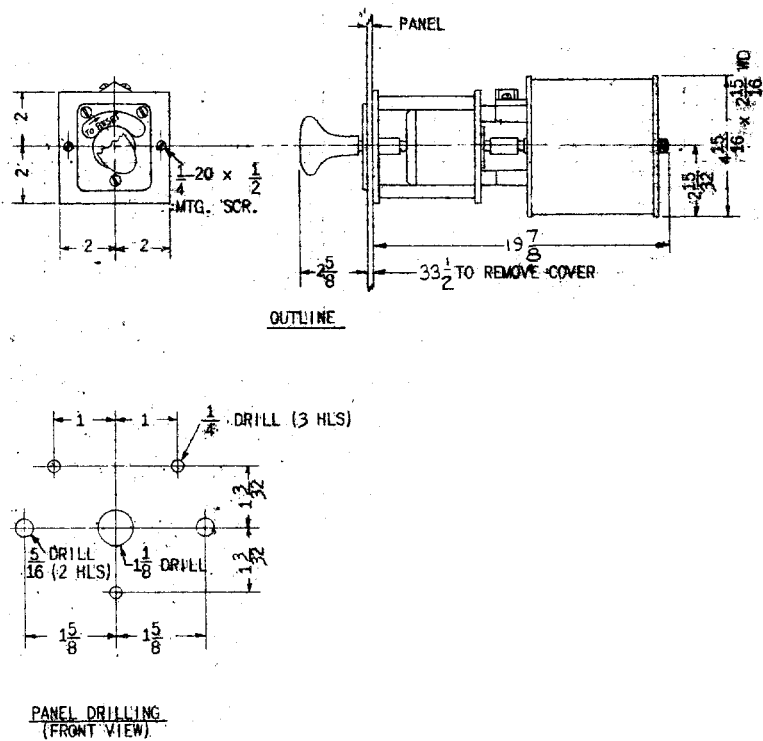


FIG. 1 (0178A8119-0) Outline And Panel Drilling For Relay 0178A7266

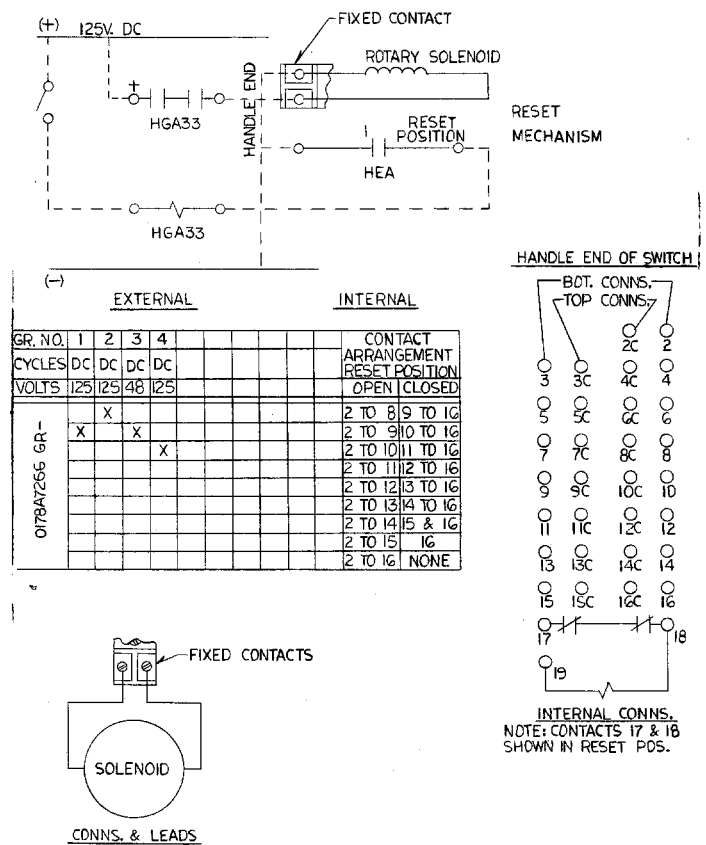


FIG. 2 (0178A7266-2 SH. 2) Internal Connections And Contact Arrangement For Relay 0178A7266