



INSTRUCTIONS

GEK-86073
Insert Booklet GEH-2058

RESET AUXILIARY RELAY

TYPE HEA

MODEL 12HEA61BB

INTRODUCTION

This instruction book, together with insert booklet GEH-2058, forms the instructions for the 12HEA61BB relay.

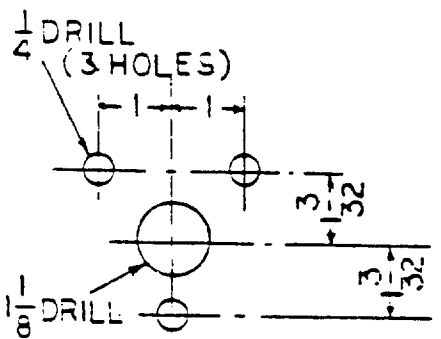
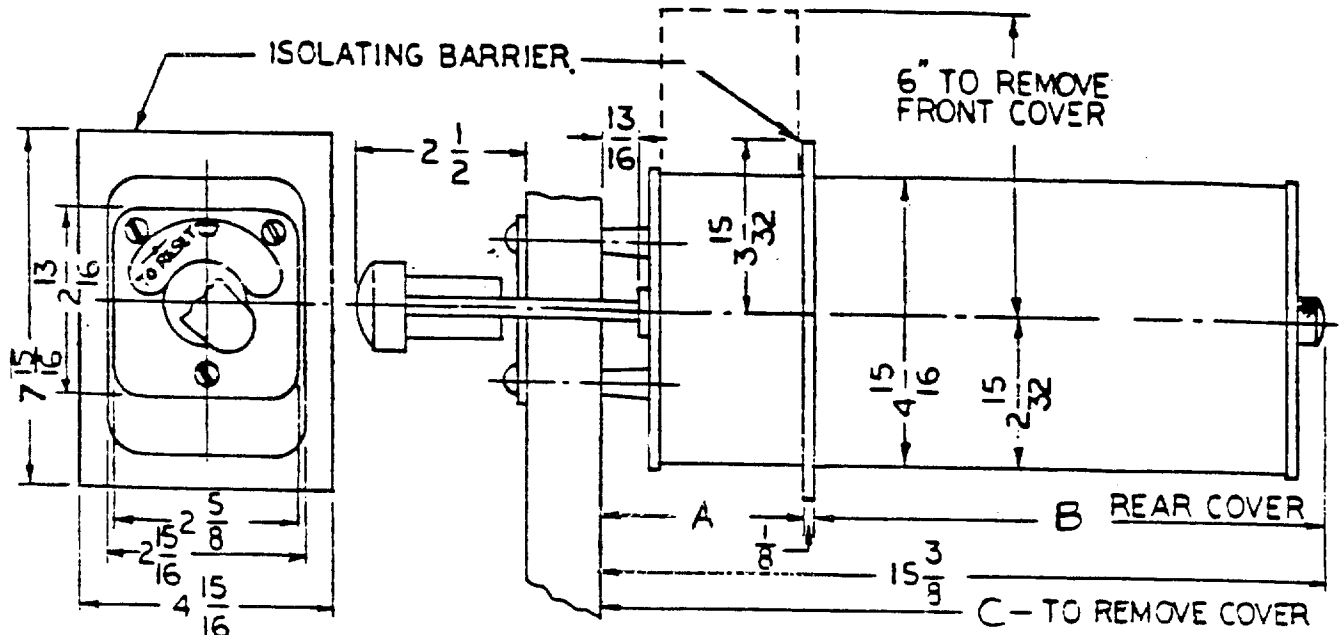
DESCRIPTION

The Type 12HEA61BB relay is similar to the Type 12HEA61B, except it has an isolation barrier separating two groups of contact stages.

Refer to Figure 1 of this supplement for the internal connections, outline, panel drilling and escutcheon engraving.

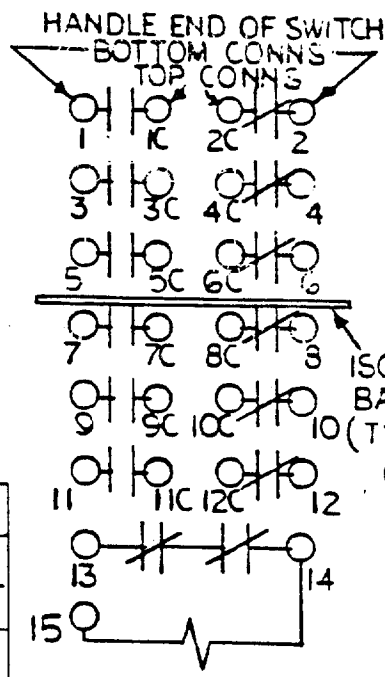
These instructions do not purport to cover all details or variations in equipment nor to provide for every possible contingency to be met in connection with installation, operation or maintenance. Should further information be desired or should particular problems arise which are not covered sufficiently for the purchaser's purposes, the matter should be referred to the General Electric Company.

To the extent required the products described herein meet applicable ANSI, IEEE and NEMA standards; but no such assurance is given with respect to local codes and ordinances because they vary greatly.



PANEL DRILLING FRONT VIEW

ISOLATING BARRIER AFTER STAGE	A	B	C
1	$3\frac{1}{2}$	$11\frac{3}{4}$	$27\frac{1}{2}$
2	$4\frac{1}{4}$	11	$26\frac{3}{4}$
3	5	$10\frac{1}{4}$	26
4	$5\frac{3}{4}$	$9\frac{1}{2}$	$25\frac{1}{4}$
5	$6\frac{1}{2}$	$8\frac{3}{4}$	$24\frac{1}{2}$



NOTE: BARRIER IS MOUNTED BEHIND STAGE OF 2ND FORM NUMBER OF RELAY, LB 12HEAGIBB (3) (BEHIND 3RD STAGE)

INTERNAL CONN'S
NOTE: ALL CONTACTS SHOWN IN RESET POSITION.
CONTACTS 13 & 14 SHOWN IN RESET POSITION.

Figure 1 (0285A7190) Internal Connections, Outline and Panel Drilling Diagram