



AUXILIARY RELAY

TYPE NAA

MODEL NAA99AH(-)A

INTRODUCTION

These instructions plus those included in GEK-45400 form the instructions for the NAA99AH(-)A relay.

DESCRIPTION

Relay NAA99AH(-)A is similar to the NAA99AE(-)A except the AB2 auxiliary unit is provided with two electrically separate normally closed contacts.

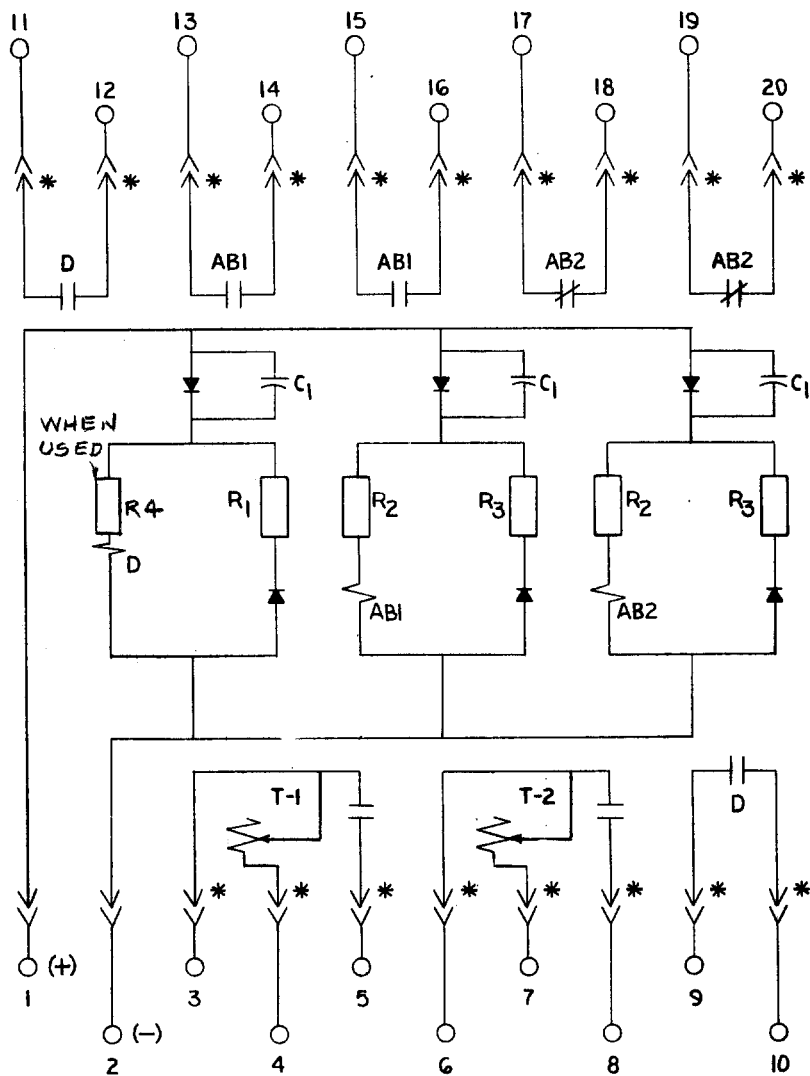
Figure 1 of this supplement shows the internal connections for this relay.

Relay Model	Voltage Rating	Pickup Time		Dropout Time	
		(AB1-AB2)	D	(AB1-AB2)	D
12NAA99AH001A	48 V.D.C. Intermittent 10 Sec.	< 8 Milli Sec.	<16 M.S.	<8 Milli Sec.	116 M.S. to 167 M.S.
12NAA99AH002A	125 V.D.C. Continuous	<8 Milli Sec.	<16 M.S.	<8 Milli Sec.	116 M.S. to 167 M.S.

These instructions do not purport to cover all details or variations in equipment nor to provide for every possible contingency to be met in connection with installation, operation or maintenance. Should further information be desired or should particular problems arise which are not covered sufficiently for the purchaser's purposes, the matter should be referred to the General Electric Company.

To the extent required the products described herein meet applicable ANSI, IEEE and NEMA standards; but no such assurance is given with respect to local codes and ordinances because they vary greatly.

Power Systems Management Department



* =SHORT FINGERS
 ABI,AB2 & D=TELEPHONE RELAYS

MODEL	FORM NUMBER	
12NAA99AH(-)A	1	2
VOLTS DC	48	125
	INT	CONT
RESISTANCE IN OHMS		
D COIL	1000	1000
ABI,AB2 COIL	10	58
R1	27	27
R2	250	3000
R3	180	180
R4		2500
CAPACITANCE VALUE		
C1	.05uf	.05uf

Fig. 1 (0257A9602-2) Internal Connections Diagram for the NAA99AH(-)A Relay