



INSTRUCTIONS

DC AUXILIARY RELAY

TYPE NGA99AH

INTRODUCTION

This supplement, in addition to GEI-83905, constitutes the instructions for the NGA99AH relay.

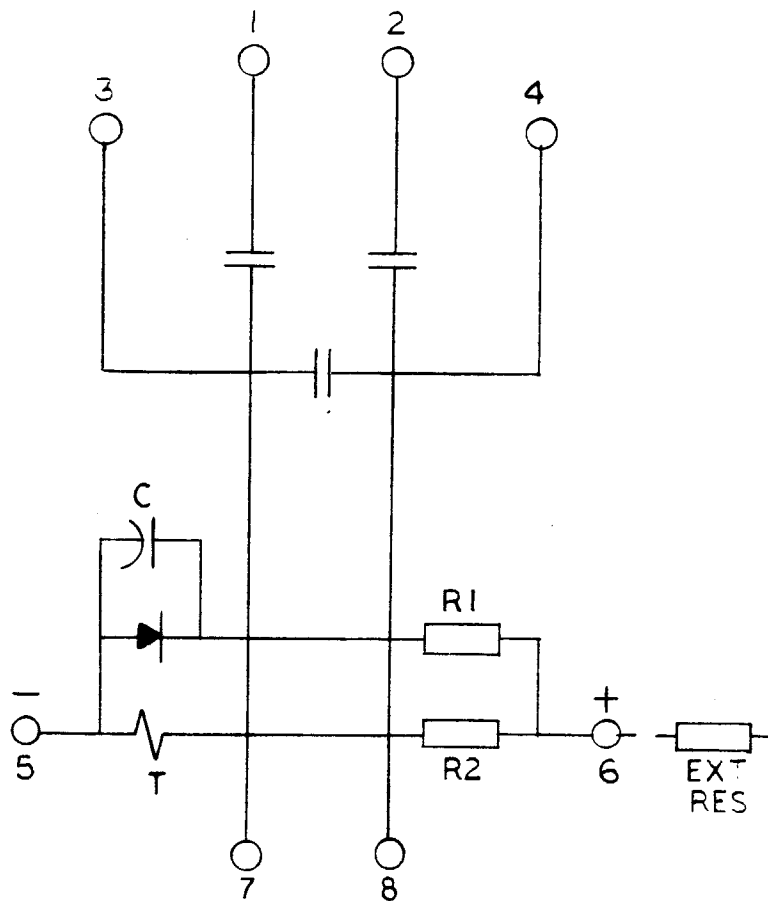
DESCRIPTION

The NGA99AH relay is similar to relay NGA15A except for the internal connections as shown in Fig. 1 of this supplement.

Since the last edition, Figure 1 has been changed.

These instructions do not purport to cover all details or variations in equipment nor provide for every possible contingency to be met in connection with installation, operation or maintenance. Should further information be desired or should particular problems arise which are not covered sufficiently for the purchaser's purposes, the matter should be referred to the General Electric Company.

To the extent required the products described herein meet applicable ANSI, IEEE and NEMA standards; but no such assurance is given with respect to local codes and ordinances because they vary greatly.



MODEL NO.	DC VOLTS CONT RATED	PICKUP TIME MSEC.	DROPOUT TIME MSEC.	OHMS				C uF
				T	R1	R2	EXT	
NGA99AH001	250	8	32	5K	10K	10K	—	.05
NGA99AH002	220	8	32	5K	10K	8.2K	—	.05
NGA99AH003	110	8	32	1.2K	3.9K	3.3K	—	.05

Fig. 1 (0285A5696 [2]) Internal Connections for Type NGA99AH Relay

5/94 (50) GENERAL ELECTRIC PROTECTION & CONTROL, GREAT VALLEY PARKWAY, MALVERN, PA 1935